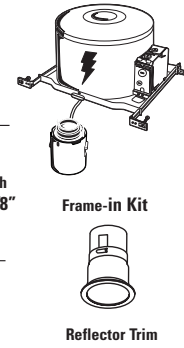
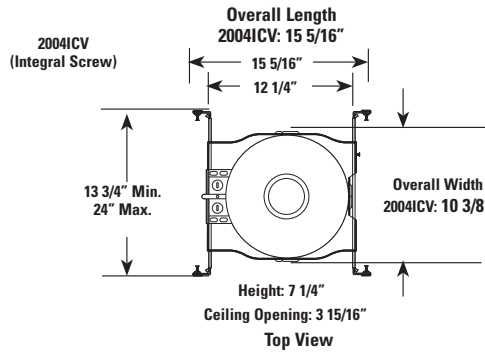
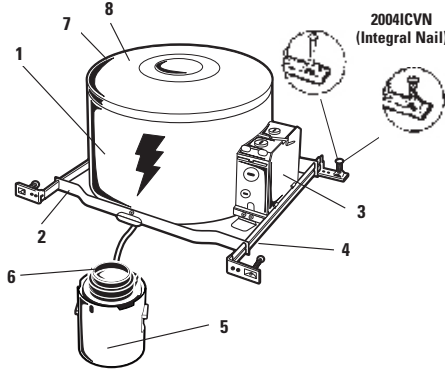


### 3 3/4" Aperture *Lyte*® Low Voltage AirSeal® Insulated Frame-In Kit



**3 3/4" Aperture: Complete Fixture consists of Reflector Trim & Frame-In Kit. Select each separately.**

Frame-In Kit	Reflector Trims — See Individual Reflector Trim Specification Sheets							
	Open Downlight					Adjustable		Enclosed Diffuser
	Aperture Cone	Satin Cone	Baffles	Slot	Pinhole	Mini Swivel	Eyeball	
2004ICV 2004ICVN	2012 2012NM 2013 2013BKNM 2013BK 2013CD 2013CDNM 2013NM 2013WH 2013WD 2013WDP	2008 2010 2008NM 2010NM	2005 2005NM 2005WH 2005BNM	2006	2011	2025WH	2022LV	2090LV 2026WH

### Features

- Housing:** .032" (#20 ga.) aluminum. UL listed for direct contact with thermal insulation. AirSeal® housing minimizes air leakage to less than 2 CFM at 1.57 PSF (or 75pa), which complies with Model Energy Code (Section 602.3.3) and Washington State Energy Code (Section 502.4) and reduces heat loss and condensation in ceiling. Access door for inspection of junction box.
- Mounting Frame:** .032 (#20 ga.) aluminum. Accommodates ceilings up to 1" thick. 3/8" deep integral lip. Locks into position along length of mounting bars with locking screw and bendable slot. Four slots are positioned 90° apart to simplify alignment. Push-in/twist-out roto-clips hold reflector flush to ceiling.
- Junction Box:** 2" X 4" X 3 1/2" (22 cu. in.) .032" (#22 ga.) galvanized steel. UL listed for maximum of 8 (#12 ga.) 1104IC and 6 (#12 ga.) 90°C through branch circuit conductors. Integral cable clamps permit attachment of non-metallic (#12 or #14 ga.) Romex® cable without tools or additional connectors.
- Mounting Bars:** .059" (#16 ga.) galvanized steel. Bars pivot for easy attachment and wire-in below ceiling line. Bars extend to accommodate 16" to 24" O.C. joist spacing. Bars can accommodate 12" O.C joist spacing after a slight field modification (see Instruction Sheet). 2004ICV features integral self tapping phillips screws for secure attachment to wood or metal construction. 2004ICVN features integral nails for secure attachment to wood. Both attach to T-bar ceilings without the need of accessories.
- Socket Housing:** Aluminum, with lamp adjustment assembly allows 35° max. vertical, 358° horizontal adjustment.
- Socket:** Field replaceable. Two pin socket, pre-wired with #18 SF1 leads to junction box.
- Thermal Protector:** Meets NEC and UL requirements. Integral to transformer. Located inside housing.
- Transformer:** Mounted inside housing, magnetic. 120V primary, nominal 12V secondary. Removable from below.

### Dimming

**Dimming Controls:** use only dimmers specifically designed for use with magnetic transformers, like Lightolier Onset® Sunrise® series LV or VA, dimmers, or any Lightolier Controls dimming systems. Low voltage fixtures may produce audible sound which may be objectionable in acoustically critical areas.

### Options & Accessories

- Extra-Thick Ceiling** 1967C - up to 1 1/4" thick ceilings.
- Mounting Ring:**
- MR 16 Socket Replacement:** 1975B
- Socket for General Electric Turn and Lock (TAL) MR16 Lamp:** 1975TAL

### Labels

UL (Type I.C., Suitable for Damp Location), I.B.E.W.

Complies with Air Leakage Requirements stated in the Model Energy Code and the Washington State Energy Code.

AirSeal® is a registered trademark of Lightolier.

Romex® is a registered trademark of General Cable Industries Inc.

Job Information	Type:
<b>Job Name:</b>	
<b>Cat. No.:</b>	
<b>Lamp(s):</b>	
<b>Notes:</b>	

631 Airport Road, Fall River, MA 02720 • (508) 679-8131 • Fax (508) 674-4710  
 We reserve the right to change details of design, materials and finish.  
 www.lightolier.com © 2011 Philips Group • F0711