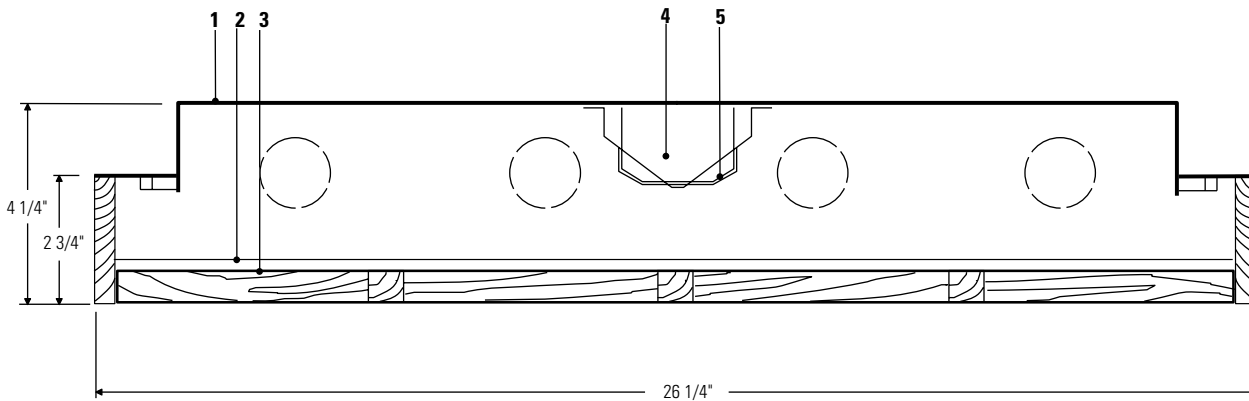
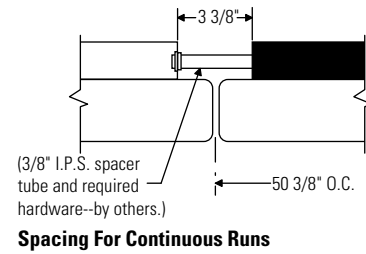
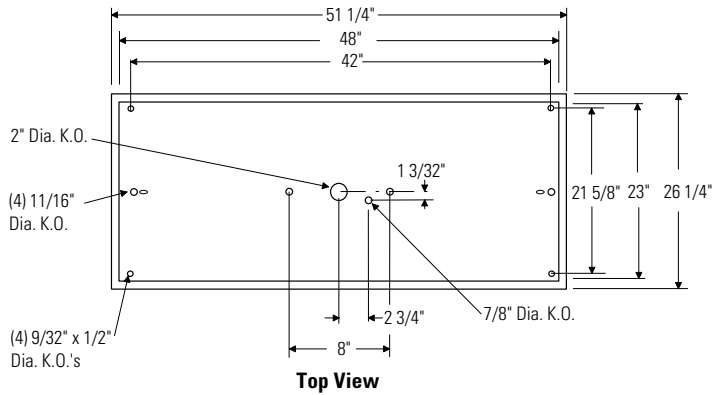


Decorative 2 x 4 Gridworks Diffused Light **13824**



Complete Fixture consists of Chassis & Diffuser. Select each separately.

Diffuser/Housing	Width	Length	Height	Chassis	Voltage	Lamps
13824 Oak	26 1/4"	51 1/4"	4 1/4"	13244UU	120V	4 Lt. - 40W
13924 White				13244UV	277V	

Features

- Chassis:** Regressed chassis visually reduces shallow depth of diffuser, conceals ceiling irregularities. Die-formed 20 ga. steel. Baked enamel over phosphate undercoating. Matte black or semi-gloss white outside; semi-gloss white inside with 87% minimum reflectance.
- Diffuser:** One 100% virgin acrylic sheet. .080" thick; translucent white, matte finish. Destaticized. Secured in frame by removable steel retainers.
- Frame:** Natural oak or wood clad in matte white vinyl frame and louvers; cross laminated to prevent warping. Light traps on all four sides prevents light leaks. Swings down from either side without tools and remains safely suspended for relamping.
- Ballast:** Direct contact mounting to chassis for maximum heat dissipation.
- Ballast & Wireway Cover:** Die-formed 26 ga. steel. Snaps securely into chassis. Removable for access to all wiring without tools.

Electrical

Energy saving Rapid Start HPF, thermally-protected Class "P" ballast. C.B.M. certified by E.T.L.

Mounting

Surface or stem mounting, individually or end-to-end.

Labels

UL, I.B.E.W.

Job Information	Type:
Job Name:	
Cat. No.:	
Lamp(s):	
Notes:	

Lightolier a Genlyte Thomas Company www.lightolier.com
 631 Airport Road, Fall River, MA 02720 • (508) 679-8131 • Fax (508) 674-4710
 We reserve the right to change details of design, materials and finish.
 © 2002 Genlyte Thomas Group LLC (Lightolier Division) • A0902

LIGHTOLIER