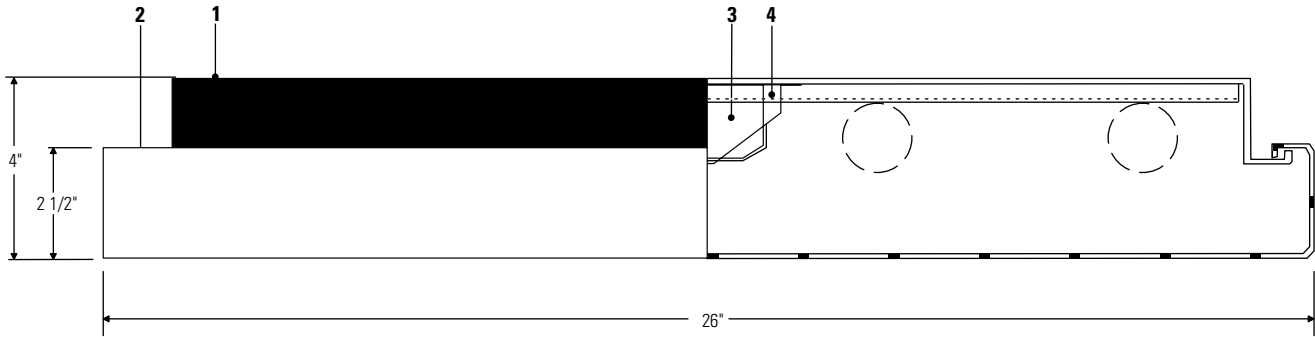
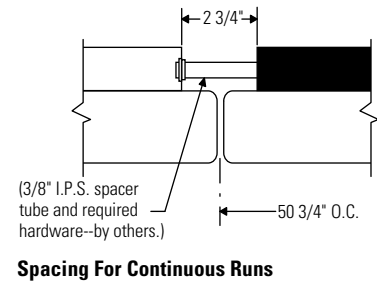
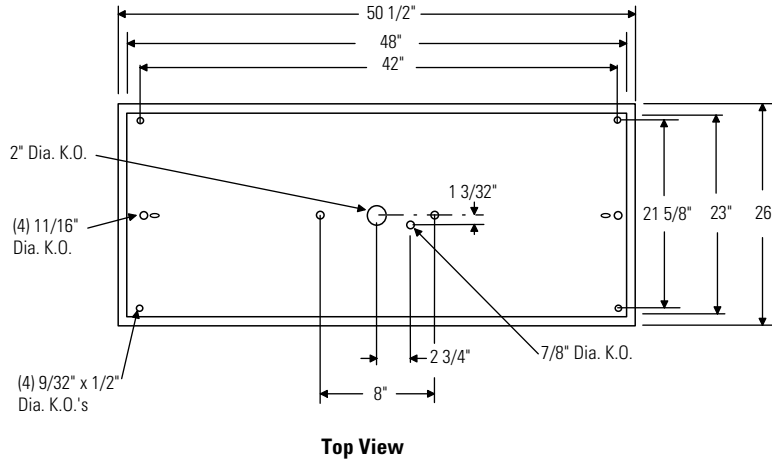


Decorative 2 x 4 Lumiplex® Diffused Light **13558AZ**



Complete Fixture consists of Chassis & Diffuser. Select each separately.

Diffuser	Width	Length	Height	Chassis	Voltage	Lamps
13558AZ	26"	50 1/2"	4"	13244UU	120V	2 Lt.- 40W
				13244UV	277V	

Features

- Chassis:** Regressed chassis visually reduces shallow depth of diffuser, conceals ceiling irregularities. Die-formed steel. Baked enamel over phosphate undercoating. Matte black outside, semi-gloss white inside with 87% minimum reflectance.
- Diffuser:** Provides general diffused illumination with some side light to reduce brightness contrast between fixture and ceiling. One piece vacuum formed 100% virgin acrylic sheet, translucent white matte finish. 125" thick; with an inward continuous horizontal return of 13/16" on ends and 1" on sides. Diffuser is continuously supported along two upper edges and is self centering. Swings down from either side without tools and remains safely suspended for relamping.
- Ballast:** Direct contact mounting to chassis for maximum heat dissipation.
- Ballast & Wireway Cover:** Die-formed steel. Snaps securely into chassis. Removable for access to all wiring without tools.

Electrical

Energy saving Rapid Start HPF, thermally-protected Class "P" ballast; C.B.M. certified by E.T.L.

Mounting

Surface or stem mounting; individually or continuous runs, end-to-end.

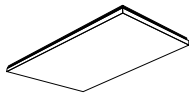
Labels

UL, I.B.E.W.

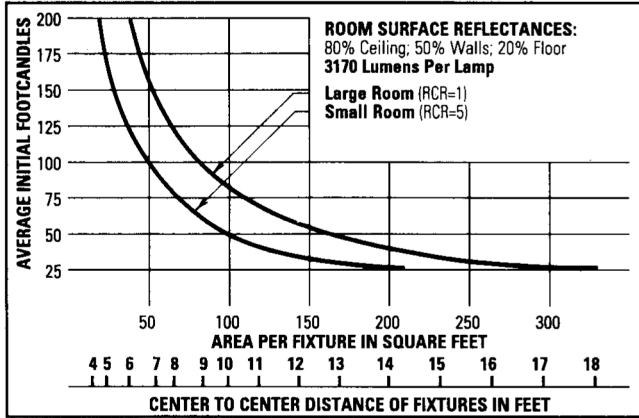
Job Information	Type:
Job Name:	
Cat. No.:	
Lamp(s):	
Notes:	

Lightolier a Genlyte Thomas Company www.lightolier.com
 631 Airport Road, Fall River, MA 02720 • (508) 679-8131 • Fax (508) 674-4710
 We reserve the right to change details of design, materials and finish.
 © 2002 Genlyte Thomas Group LLC (Lightolier Division) • A0902

LIGHTOLIER



Decorative 2 x 4 Lumiplex® Diffused Light **13558AZ**



Use quick calculator chart to determine the spacing of 4 Lt. 40 Watt units for a desired level of illumination.

SPACING RATIO = PARALLEL = 1.3, PERPENDICULAR = 1.3

CERTIFIED TEST REPORT NO. 11345
INDEPENDENT TESTING LABORATORIES, INC.
DECORATIVE 2 X 4 LUMIPLX DIFFUSED LIGHT
METAL REFLECTOR SYNTHETIC ENAMELED.
FRAMELESS PLASTIC DIFFUSING MEDIA.
FOUR F40T12/CW/RS LAMPS. LUMEN RATING = 3110 LMS. EACH

CANDLEPOWER SUMMARY

ANGLE	PARL	45	NORM	ZONAL FLUX
0	2400	2400	2400	228
5	2384	2390	2385	654
15	2298	2307	2309	993
25	2134	2148	2156	1203
35	1894	1918	1927	1254
45	1589	1626	1638	1145
55	1237	1284	1301	889
65	843	906	926	540
75	466	517	542	208
85	134	199	230	133
90	59	139	169	125
95	56	135	162	111
105	59	128	157	91
115	63	120	145	67
125	57	108	132	46
135	52	93	110	29
145	47	79	90	14
155	42	66	74	4
165	39	52	54	
175	34	44	41	
180	37	37	37	

ZONAL LUMENS AND PERCENTAGES

ZONE	LUMENS	% LAMP	% LUMINAIRE
0-30	1875	15.1	24.2
0-40	3078	24.7	39.8
0-60	5477	44.0	70.8
0-90	7114	57.1	91.9
90-180	620	5.0	8.1
0-180	7734	62.1	100.0

DATE: DECEMBER 27, 1968
PREPARED FOR:
LIGHTOLIER, SECAUCUS N.J.

** EFFICIENCY = 62.1% **

TESTED ACCORDING TO IES PROCEDURES. TEST DISTANCE EXCEEDS FIVE TIMES THE GREATEST LUMINOUS OPENING OF LUMINAIRE.

COEFFICIENTS OF UTILIZATION

% EFFECTIVE CEILING CAVITY REFLECTANCE

ROOM CAVITY RATIO	% WALL REFLECTANCE															
	80			70			50			30			10			0
	50	30	10	50	30	10	50	30	10	50	30	10	50	30	10	0
1	.64	.61	.49	.62	.59	.47	.58	.56	.45	.55	.53	.42	.52	.51	.40	.48
2	.56	.52	.48	.54	.51	.47	.51	.48	.45	.49	.46	.44	.46	.44	.42	.40
3	.49	.44	.40	.48	.43	.40	.45	.42	.38	.43	.40	.38	.41	.38	.36	.34
4	.44	.39	.35	.42	.38	.34	.40	.37	.33	.39	.35	.32	.37	.33	.31	.29
5	.39	.33	.29	.37	.32	.28	.36	.31	.28	.34	.30	.27	.32	.29	.26	.25
6	.35	.29	.25	.33	.29	.25	.32	.28	.24	.30	.27	.24	.29	.26	.23	.22
7	.31	.25	.22	.30	.25	.22	.29	.24	.21	.27	.24	.20	.26	.23	.20	.19
8	.28	.22	.19	.27	.22	.18	.26	.21	.18	.25	.21	.18	.23	.20	.17	.16
9	.25	.19	.16	.24	.19	.16	.23	.19	.15	.22	.18	.15	.21	.17	.15	.14
10	.23	.17	.14	.22	.17	.14	.21	.17	.14	.20	.16	.13	.19	.16	.13	.12

20% FLOOR CAVITY REFLECTANCE

Job Information **Type:**

Lightolier a Genlyte Thomas Company www.lightolier.com
631 Airport Road, Fall River, MA 02720 • (508) 679-8131 • Fax (508) 674-4710
We reserve the right to change details of design, materials and finish.
© 2002 Genlyte Thomas Group LLC (Lightolier Division) • A0902

LIGHTOLIER