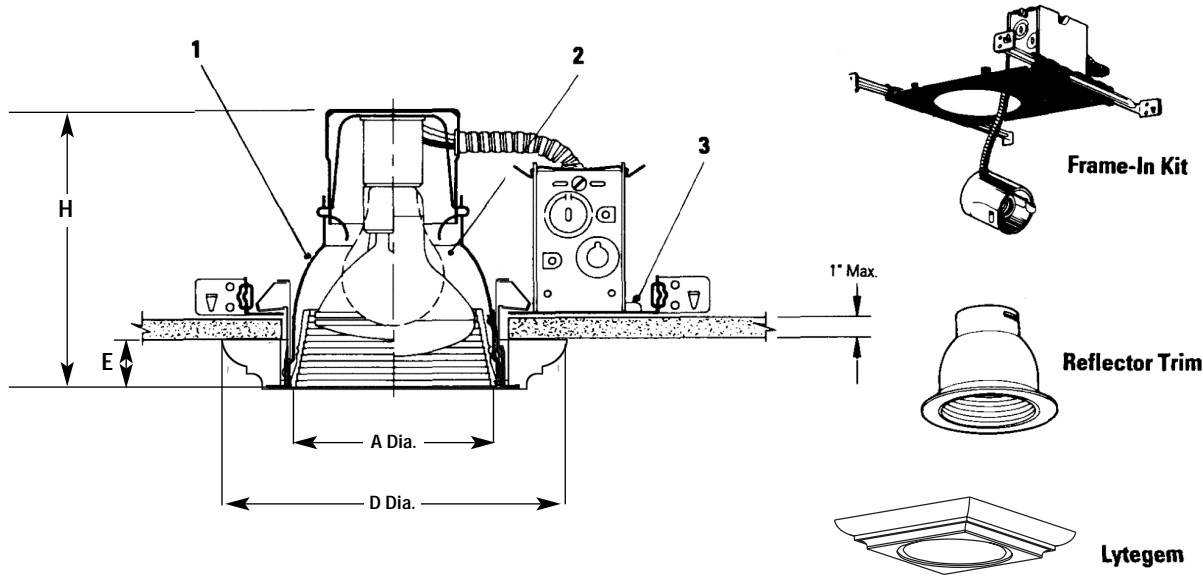


Lytecaster Recessed Downlighting 1328



Complete fixture consists of Frame-In Kit, Reflector, and Lytegem.

Lytegems Catalog No.	Use with Reflector Trims	Use With Frame-In Kit	Lamps	Dimensions			
				D	E	H	A
1328 3 3/4" Aperture	2005 2005WH	2000P1 2003R*	40W A19 (60W A19)* 50W PAR20 75W PAR16, R20	6-15/16"	1-1/8"	5-1/2"	3-3/8"
				X 6-15/16"			
E D Dia.	2008 2013 2010 2013BK 2012 2013WH	2002P1 2003R*	40W A19 (60W A19)* 50W PAR 20 75W PAR16, R20	8-5/16"	1-1/8"	6-3/4"	4-5/8"
				X 8-5/16"			
1428 5" Aperture	1005 1012 1005WH 1013 1008 1013BK 1010 1013WH	1002P1 1003R*	65W BR30 (85W BR30)* 75W A19, PAR30	8-5/16"	1-1/8"	6-3/4"	4-5/8"
E D Dia.		1002F Series	13W Quad Tube				
1528 6 3/4" Aperture	1105 1112 1105WH 1113 1108 1113BK 1110 1113WH 1105T 1113TCL 1105TWH 1113TGD	1102P1	100W A19	9-7/8"	1-1/8"	7-15/16"	6-1/4"
		1103R	150W A21, PAR38, BR40	X			
		1102D Series	(2) 13W Quad Tube	9-7/8"			
		1102F Series	(1) 13W Quad Tube				
		1102T Series	(2) 13W Twin Tube	9-7/8"	1-1/8"	3-7/8"	6-1/4"
		1102T13U	(2) 13W Quad Tube	X			
1102T18U	(2) 18W Quad Tube	9-7/8"					
1102T26U	(2) 26W Quad Tube						

Features

- 1. **Reflector Trim:** (See Reflector Trim Specification Sheet.)
- 2. **Lamp:** See Reflector Trim Specification Sheet and above.
- 3. **Frame-In Kit:** (See Frame-In Kit Specification Sheet.)

Mechanical

Mounted to Frame-In Kit from below the ceiling using extra thick ceiling mounting ring provided.

Finish

Poplar Wood, Unfinished.

Labels

UL (Suitable for Damp Locations), I.B.E.W.

Job Information	Type:
Job Name:	
Cat. No.:	
Lamp(s):	
Notes:	