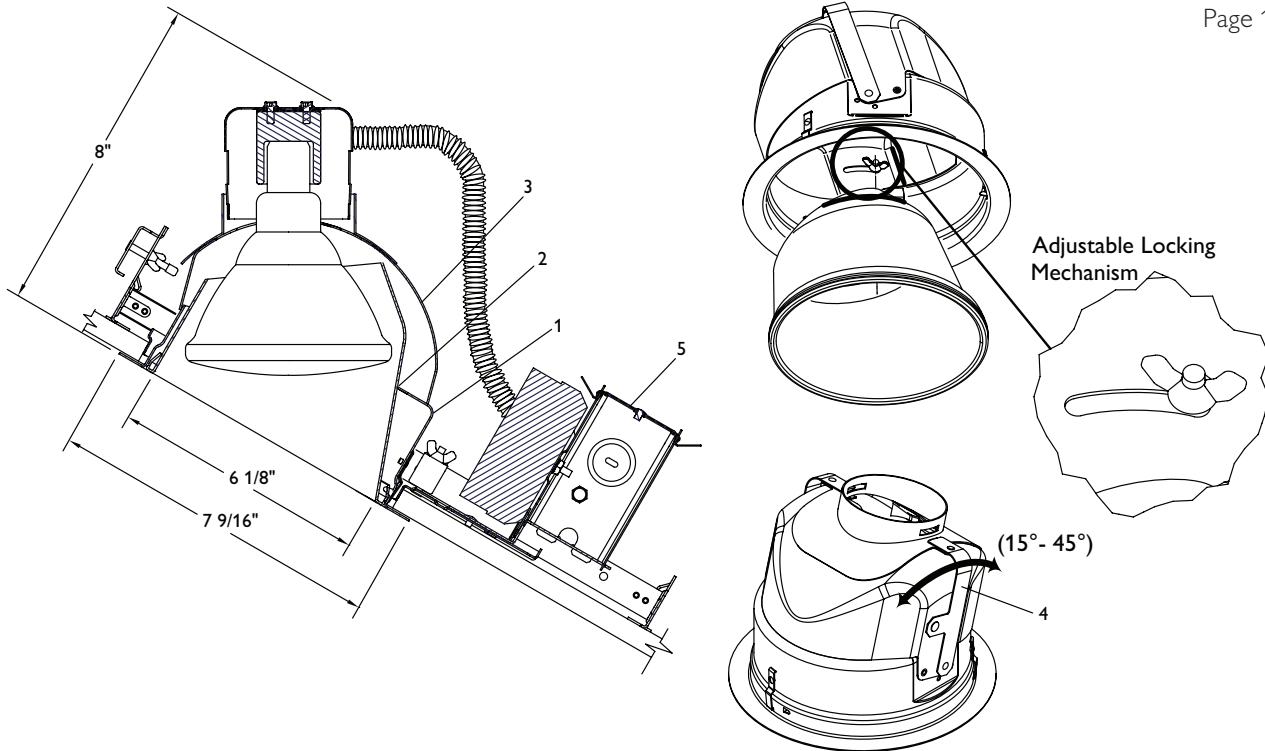


1154HID

6 3/4" Aperture Complete Slope Ceiling Reflector Trim 14° - 45° Angle, 3/12 - 12/12 Pitch

Page 1 of 2



Reflector Trim

Frame- In Kit: See individual frame-in kit specification sheet

Trim	Description	Frames	Lamping	Ceiling type	Hieght
1154WHHID	Matte White Baffle	1101HIDP39U	39W PAR30L Ceramic MH	NON-IC	6 3/4"
1154CDHID	Clear Diffuse	1101HIDP70U	70W PAR30L/38 Ceramic MH		
1154CLHID	Specular Clear	1101HIDP100U	100W PAR38 Ceramic MH		

Features

- Housing:** Hydroformed aluminum, .040" thick; White trim flange.
- Aperature:** Step Baffle or Aluminum Cone, Painted or Anodized Finish
- Lamp Housing:** Hydroformed aluminum, .040" thick.
- Yoke:** Adjustable mechanism locks tight with wing nut. Yoke swings 15° - 45°.
- Frame-In Kit:** See Frame-In Kit specification sheets for more details.

Labels

cULus (Suitable for Damp Location), I.B.E.W.

Angle Label: For ease in setting consistant angles.

Accessories

Extra Wide Flange Trim Ring: 1954- 8-5/8" O.D.

Job Information	Type:
Job Name:	
Cat. No.:	
Notes:	

PHILIPS
LIGHTOLIER

1154HID

6 3/4" Aperture Complete Slope Ceiling Reflector Trim 14° - 45° Angle, 3/12 -12/12 Pitch

Page 2 of 2

Single Unit Data 100W PAR38 15 degree

Height to Lighted Plane	Initial Center Beam Footcandles	Beam Diameter
15'	289	4.0
20'	163	5.0
25'	104	7.0
30'	72	8.0

Single Unit Data 100W PAR38 25 degree

Height to Lighted Plane	Initial Center Beam Footcandles	Beam Diameter
15'	107	7.0
20'	60	9.0
25'	38	11.0
30'	27	13.0

Single Unit Data 70W PAR38 15 degree

Height to Lighted Plane	Initial Center Beam Footcandles	Beam Diameter
15'	187	4.0
20'	105	5.0
25'	67	7.0
30'	47	8.0

Single Unit Data 70W PAR38 25 degree

Height to Lighted Plane	Initial Center Beam Footcandles	Beam Diameter
15'	80	7.0
20'	45	9.0
25'	29	11.0
30'	20	13.0



Philips Lightolier
e: lol.webmaster@philips.com
t: (508) 679-8131
w: www.lightolier.com

1154HID February 3, 2011

Specifications are subject to change without notice.
© Koninklijke Philips Electronics N.V., 2010. All rights reserved.

Job Information	Type:
------------------------	--------------