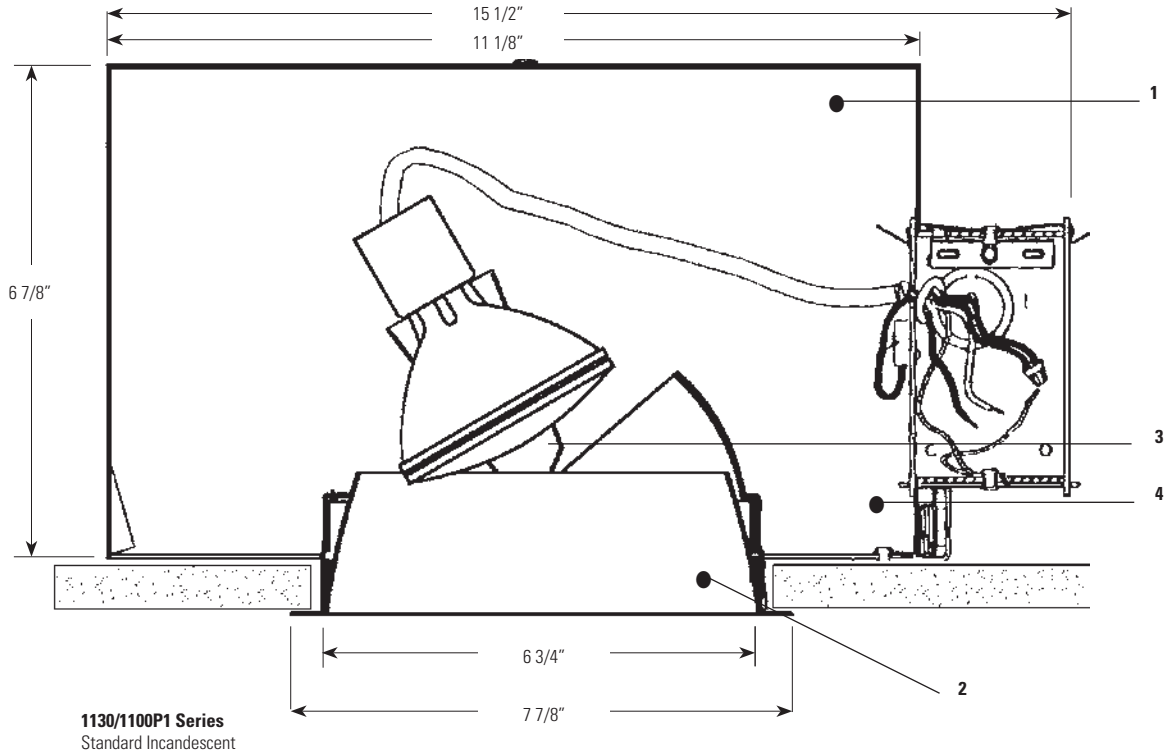




Lytecaster® Recessed Downlighting **1130CL**



Complete Fixture consists of Reflector Trim & Frame-In Kit. Select each separately.

Reflector Trim	Frame-In Kit			
	Incandescent			
	Frame-In Kit	Ceiling Type	Lamping	Height
1130CL Specular Clear	1100P1	Non-IC	75W PAR16, PAR30	6 7/8"
1130GD Specular Gold			50W PAR20	

Features

- Housing:** Hydroformed aluminum, .040" thick (18 ga.); white trim flange.
- Aperture:** Hydroformed aluminum cone, specular clear, and gold anodized finish.
- Lampholder Assembly:** Provides 358° horizontal rotation and 0° to 35° vertical adjustment. May be hot aimed with the blade of a screw driver.
- Frame-In Kit:** 1100P1 standard frame, see Frame-In Kit specification sheet for more detail.

Labels

UL (Suitable for Damp Locations), I.B.E.W.,

Job Information	Type:
Job Name:	
Cat. No.:	
Lamp(s):	
Notes:	