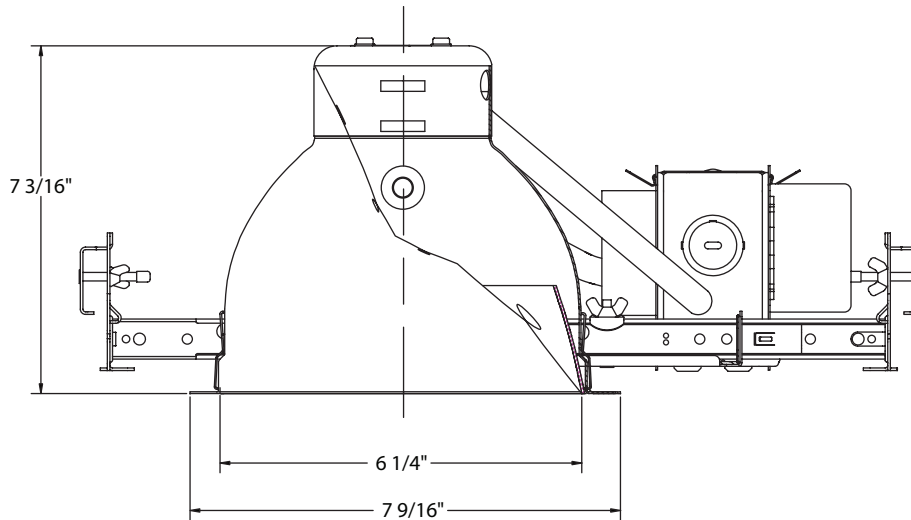


Lytecaster® Recessed CFL Downlighting **1113IE**

Page 1 of 1

6 3/4" Aperture, Cone Reflector, Integrated Emergency, Reflector Trim



Complete Fixture consists of Frame-In Kit and Reflector Trim. Select each separately.

Reflector Trims		Compatible Frame In Kits (See Individual Frame-In Kit Specification Sheets)		
Catalog No.	Description	Catalog No.	Installation Type	Lamping
1113IE	6 3/4" Open Downlight - Integrated Emergency - Specular Clear	1101F2642UEL	Uniframe™ Non-IC High-Lumen Emergency 120/277V	26W Quad/Triple
1113CDIE	6 3/4" Open Downlight - Integrated Emergency - Clear Diffuse			32W Triple
1113WHIE	6 3/4" Open Downlight - Integrated Emergency - Matte White			42W Triple

Features

- Reflector:** Hydroformed aluminum, .040" minimum thickness; Anobrite® (anodic-processed) semi-specular finish for permanent reflectivity; matte white trim flange.
- Aperture Cone:** Aluminum cone painted or anodized finish.
- Frame-In Kit:** See Frame-In Kit specification sheets for more information.

Options & Accessories

Extra Wide Flange Trim Ring: 1954 - 8-5/8" O.D.

Labels

cULus Listed. Suitable for Damp Locations. I.B.E.W.

Job Information

Type:

Job Name:

Cat. No.:

Lamp(s):

Notes:

Lightolier a Genlyte company www.lightolier.com
 631 Airport Road, Fall River, MA 02720 • (508) 679-8131 • Fax (508) 674-4710
 We reserve the right to change details of design, materials and finish.
 © 2007 Genlyte Group LLC • A1207

LIGHTOLIER®