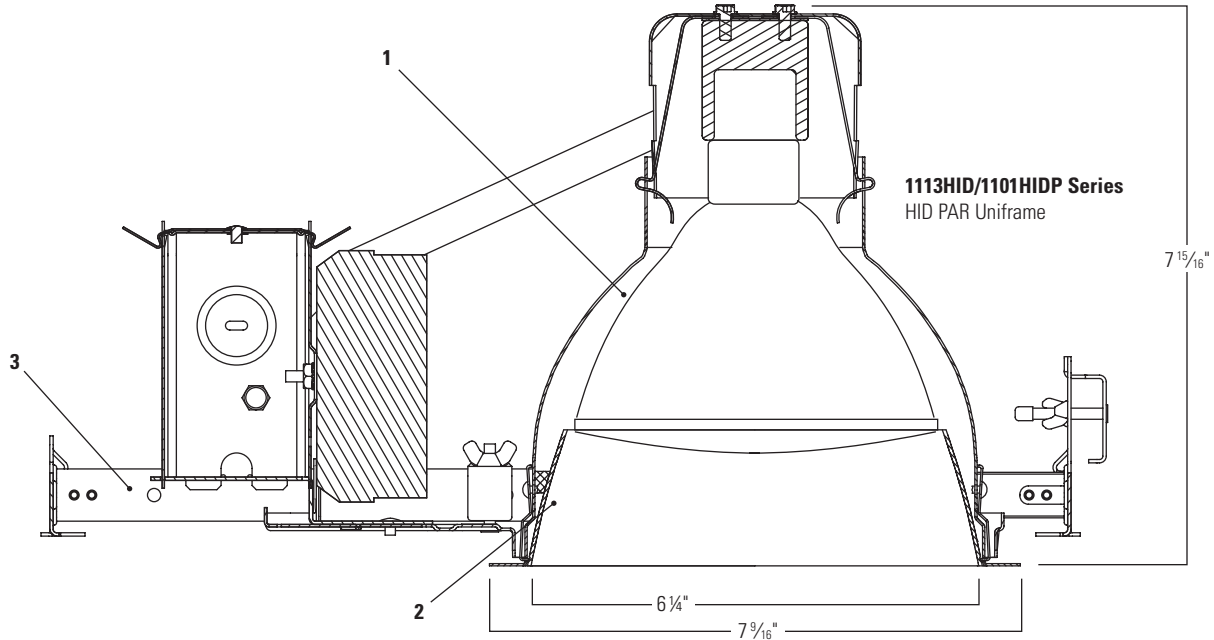


Lytecaster Recessed Downlighting **1113HID**



Complete fixture consists of Reflector Trim and Frame-In Kit. Select separately.

Reflector Trim	Frame-In Kit: See Individual Frame-In Kit Specification Sheet			
Trim	Frames	Lamping	Ceiling Type	Height
1113HID - Specular Clear	1101HIDP39U	39W PAR30L Ceramic MH	Non-IC	6 3/4"
1113CDHID - Clear Diffuse	1101HIDP70U	70W PAR30L/38 Ceramic MH		
	1101HIDP100U	100W PAR38 Ceramic MH		

Features

- 1. Reflector:** Hydroformed aluminum, .040" minimum thickness; anobrite semi-specular finish for permanent reflectivity; matte white or trim flange.
- 2. Aperture Cone:** Aluminum cone painted or anodized finish.
- 3. Frame-In Kit:** (1101HIDP standard frame shown).
See Frame-In Kit specification sheets for more details.

Options & Accessories

- Retaining Clips:** 1955 - For installing in existing ceiling
Extra Wide Flange Trim Ring: 1954 - 8-5/8" O.D.

Labels

UL (Suitable for Damp Locations), I.B.E.W.

Job Information

Type:

Job Name:

Cat. No.:

Lamp(s):

Notes:

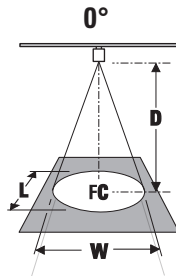


AIMING ANGLE:

- L** Beam Length **D** Distance
- W** Beam Width **A** Aiming Angle
- C** Distance to center beam **FC** Footcandles

L and **W** are the outer points where the candle power drops to 50% of the maximum. **FC** are the initial footcandles at the center of the beam.

Lamp data shown is typical. Consult lamp manufacturers for availability and performance.



LAMP:

	Beam Spread (To 50% CBCP)	CBCP	Rated Life (Hrs.)
39W PAR20 (MC/MH) SP	10°	28000	9000
39W PAR20 (MC/MH) FL	30°	6000	9000
39W PAR30 (MC/MH) SP	10°	42000	9000
39W PAR30 (MC/MH) FL	30°	8900	9000
GE CMH70PAR38/SP15	15°	40000	10000
GE CMH70PAR38/FL25	25°	14000	10000
Sylvania CMH70PAR38/SP15	15°	40000	12000
Sylvania CMH70PAR38/FL25	25°	16000	12000
Philips CMH70PAR38/SP15	15°	42000	12500
Philips CMH70PAR38/FL25	25°	18000	12500
100W PAR38 (MC/MH) SP	15°	70000	10000
100W PAR38 (MC/MH) FL	25°	25000	10000
100W PAR38 (MC/MH) WFL	60°	7000	10000

D	FC	L	W
10'	280	1.7'	1.7'
15'	124	2.6'	2.6'
20'	70	3.5'	3.5'
25'	45	4.4'	4.4'
6'	167	3.2'	3.2'
8'	94	4.3'	4.3'
10'	60	5.4'	5.4'
12'	42	6.4'	6.4'
15'	187	2.6'	2.6'
20'	105	3.5'	3.5'
25'	67	4.4'	4.4'
30'	47	5.2'	5.2'
7'	153	3.8'	3.8'
10'	75	5.4'	5.4'
13'	44	7.0'	7.0'
16'	29	8.6'	8.6'
12'	278	3.2'	3.2'
14'	204	3.7'	3.7'
16'	156	4.2'	4.2'
18'	123	4.7'	4.7'
8'	219	3.5'	3.5'
10'	140	4.4'	4.4'
12'	97	5.3'	5.3'
14'	71	6.2'	6.2'
12'	278	3.2'	3.2'
14'	204	3.7'	3.7'
16'	156	4.2'	4.2'
18'	123	4.7'	4.7'
8'	250	3.5'	3.5'
10'	160	4.4'	4.4'
12'	111	5.3'	5.3'
14'	82	6.2'	6.2'
12'	292	3.2'	3.2'
14'	214	3.7'	3.7'
16'	164	4.2'	4.2'
18'	130	4.7'	4.7'
8'	281	3.5'	3.5'
10'	180	4.4'	4.4'
12'	125	5.3'	5.3'
14'	92	6.2'	6.2'
15'	311	3.9'	3.9'
20'	175	5.3'	5.3'
25'	112	6.6'	6.6'
30'	78	7.9'	7.9'
10'	250	4.4'	4.4'
15'	111	6.7'	6.7'
20'	63	8.9'	8.9'
25'	40	11.1'	11.1'
6'	194	6.9'	6.9'
8'	109	9.2'	9.2'
10'	70	11.5'	11.5'
12'	49	13.9'	13.9'

Job Information **Type:**