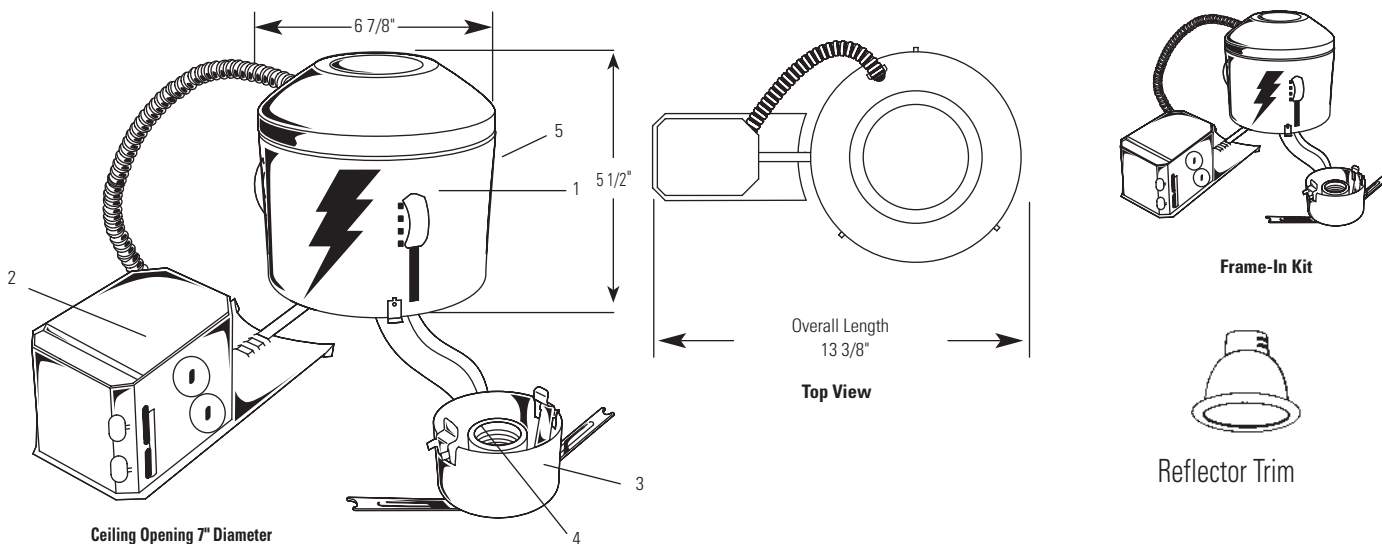


# Lytecaster® Recessed Downlighting **1104SICR**

Page 1 of 1

6 3/4" Aperture **Lyte<sup>™</sup>ning®** Shallow Incandescent Convertible IC/Non-IC Remodeler Frame-In Kit



Complete Fixture consists of Reflector Trim & Frame-In Kit. Select each separately.

Frame-In Kit	Reflector Trims — See Individual Reflector Trim Specification Sheets		
1104SICR	Open Downlight		Enclosed Diffuser
	Basic White	Baffles	
	<b>B16</b>	<b>B17</b> <b>B17WH</b>	<b>1178LX</b> <b>1177LX</b>

## Features

- Housing:** .032" (#20 ga.) Aluminum. UL listed convertible IC/NON-IC. Integral retaining spring secures housing to ceilings up to 2" thick. Removable for access to junction box and ceiling plenum. 5 1/2" tall for use in 2" X 6" joist construction and shallow plenum applications.
- Junction Box:** 2 1/2" X 2 1/2" X 3 1/2" (21 cu. in.) .032" (#22 ga.) galvanized steel. UL listed for 90°C supply wire. Suitable for branch circuit wiring supplying connected fixtures. Integral cable clamps permit attachment of non-metallic (#12 or #14 ga.) Romex® cable without tools or additional connectors.
- Socket Housing:** Impact extruded aluminum or galvanized steel. Attached trim retaining spring secures trim to any height on housing wall.
- Socket:** Porcelain medium base; nickel plated screw shell. Pre-wired with #18 ga. SF1 (300 Volt 200°C) leads to junction box.
- Thermal Protector:** Meets NEC and U.L. requirements. Located inside housing.

## Options & Accessories

**AirSeal® Kit: LAS56R**  
(Required for AirSeal installation)

## Labels

UL (Type IC/NON-IC Convertible; Suitable for Damp Locations)  
Complies with Air Leakage Requirements stated in the Model Energy Code, California Title 24 and the Washington State Energy Code.

Romex® is a registered trademark of General Cable Industries Inc.

Job Information	Type:
<b>Job Name:</b>	
<b>Cat. No.:</b>	
<b>Lamp(s):</b>	
<b>Notes:</b>	

**Lightolier** a Genlyte company www.lightolier.com  
631 Airport Road, Fall River, MA 02720 • (508) 679-8131 • Fax (508) 674-4710  
We reserve the right to change details of design, materials and finish.  
© 2011 Genlyte Group LLC • G0711

**LIGHTOLIER®**