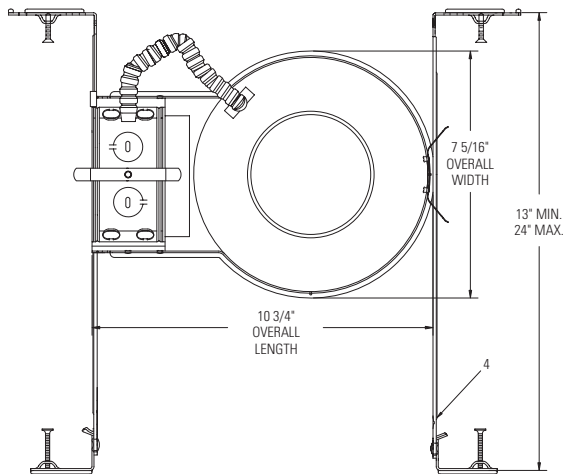
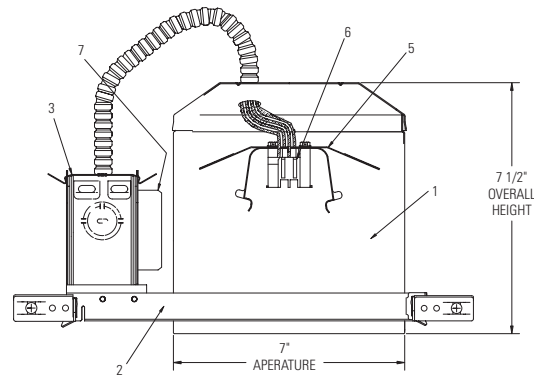


Lytecaster® Recessed Downlighting **1104F13ES**

Page 1 of 1 6 3/4" Aperture **Lyte^{ning}**® 1 Lt 13W Quad/Triple Tube Compact Fluorescent IC Frame-In Kit



Ceiling Opening 7" diameter



Complete Fixture consists of Reflector Trim & Frame-In Kit. Select each separately.

Frame-In Kit	Voltage	Lamp	Reflector Trims — See Individual Reflector Trim Specification Sheets							
			Open Downlight					Enclosed Diffusers	Wall Washer	Cross Blade
			Anodized Reflector	Anodized Cone	Satin Cone	Baffles	Basic White			
1104F13ES 1104F13ESN	120V	13W Quad or Triple Tube	1143 1144 1144CD	1112 1112NM 1113 1113BK 1113BKNM 1113CD 1113CDNM 1113NM 1113WH	1108 1108NM 1110 1110NM	1105 1105BNM 1105NM 1105WH 1176 1176WH 1179M1 1179WH	1171 1170M1	1121 1124 1126 1128** 1134 1177SH 1177LX** 1178SH 1178LX** 1190	1185 1186 1186WH 1135 1135WH	1132**

Features

- Housing:** .032" (#20 ga.) UL listed for direct contact with thermal insulation. Allows installation in ceilings up to 2" thick. Can be removed for access to junction box, ballast and ceiling plenum. AirSeal® housing minimizes air leakage to less than 2 CFM at 1.57 PSF (or 75pa), which complies with Model Energy Code (Section 602.3.3) and Washington State Energy Code (Section 502.4) and reduces heat loss and condensation in ceiling.
- Mounting Frame:** .048" (#18 ga.) galvanized steel. Locks into position along length of mounting bars with locking spring and bendable slot. (3) slots 90° apart simplify alignment.
- Junction Box:** 2" X 4" X 3 1/2" (22 cu. in.) .032" (#22 ga.) galvanized steel. UL listed for branch circuit wiring supplying connected luminaires. Integral cable clamps permit attachment of non-metallic (#12 or #14 ga.) Romex® cable without tools or additional connectors.
- Mounting Bars:** .059" (#16 ga.) galvanized steel. Bars pivot for easy attachment and wire-in below ceiling line. Bars extend to accommodate 16" to 24" O.C. joist spacing. Bars can accommodate 9" O.C. joist spacing after a slight field modification (see Instruction Sheet). Features integral self-tapping phillips screws or nails for secure attachment to wood or metal construction. Attaches to T-bar ceilings without the need of accessories.
- Socket Housing:** Trim retaining spring secures trim to any height on housing wall.
- Socket:** (4 Pin, GX24q-1) base, molded thermo-plastic. Pre-wired with #18 AWG leads to junction box.
- Ballast:** Electronic 120V, end of life protected, FCC class "B" consumer limits, class "A" sound rating. Energy Star® qualified.

Electrical

Input Watts: 16 **Use Triple Tube Lamp Only.
 Amps: .13
 Ballast Factor: 1.0
 Power Factor: .96

Electrical (cont.)

Max THD %: 10
 Min Start Temp: 0°F/ -18°C

Options & Accessories

AirSeal® Kit: LAS56 (Optional)

Note: Use only if factory installed tape or knockouts are removed from vertical adjustment slots in housing wall.

Labels

UL (Type IC Suitable for Damp Locations)

Complies with Air Leakage Requirements stated in the Model Energy Code, California Title 24 and the Washington State Energy Code.

Romex® is a registered trademark of General Cable Industries Inc.

Job Information	Type:
Job Name:	
Cat. No.:	
Lamp(s):	
Notes:	

Lightolier a Genlyte company www.lightolier.com
 631 Airport Road, Fall River, MA 02720 • (508) 679-8131 • Fax (508) 674-4710
 We reserve the right to change details of design, materials and finish.
 © 2011 Genlyte Group LLC • D0711

LIGHTOLIER®