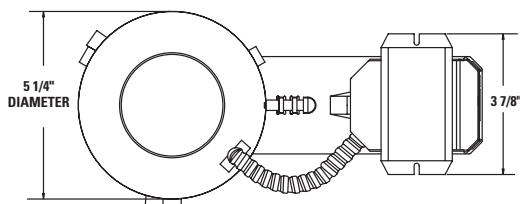


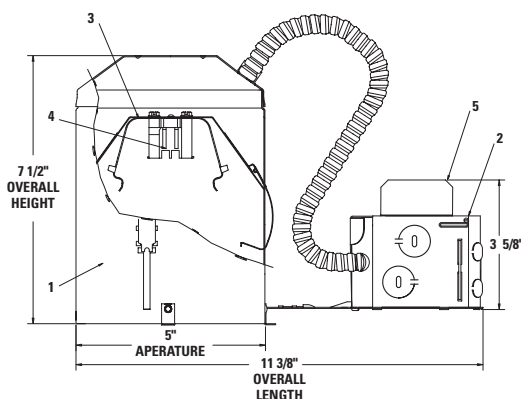
Lytecaster® Recessed Downlighting **1004F26RESR**

Page 1 of 1

5" Aperture **LyteZning**® 1 Lt 26W Quad or Triple Tube Compact Fluorescent IC Remodeler



Ceiling Opening 5 3/8" diameter



Complete Fixture consists of Reflector Trim & Frame-In Kit. Select each separately.

Frame-In Kit	Reflector Trims — See Individual Reflector Trim Specification Sheets								
	Voltage	Lamp	Open Downlight					Enclosed Diffusers	Wall Washer
1004F26RESR	120V	26W Quad or Triple Tube	1045	1012	1008	1005	1071	1021	1035
			1046	1012NM	1008NM	1005BNM	1024	1035WH	
			1046CD	1013	1010	1005NM	1078	1085	
				1013BK	1010NM	1005WH	1177LX		
				1013BKNM		1076	1178LX		
				1013CD		1076WH			
				1013CDNM					
				1013NM					
				1013WH					

Features

- Housing:** .032" (#20 ga.) UL listed for direct contact with thermal insulation. Allows installation in ceilings up to 2" thick. Can be removed for access to junction box, ballast and ceiling plenum. AirSeal® housing minimizes air leakage to less than 2 CFM at 1.57 PSF (or 75pa), which complies with Model Energy Code (Section 602.3.3) and Washington State Energy Code (Section 502.4) and reduces heat loss and condensation in ceiling.
- Junction Box:** 2 1/2" X 2 1/2" X 3 1/2" (21 cu. in.) .032" (#22 ga.) galvanized steel. UL listed for branch circuit wiring supplying connected luminaires. Integral cable clamps permit attachment of non-metallic (#12 or #14 ga.) Romex® cable without tools or additional connectors.
- Socket Housing:** Trim retaining spring secures trim to any height on housing wall.
- Socket:** (4 Pin, GX24q-3) base, molded thermo-plastic. Pre-wired with #18 AWG leads to junction box.
- Ballast:** Electronic 120V, end of life protected, FCC class "B" consumer limits, class "A" sound rating. Energy Star® qualified.

Electrical

Input Watts: 28
 Amps: .40
 Ballast Factor: .98
 Power Factor: > 50
 Max THD %: < 150
 Min Start Temp: 0°F/ -18°C

Options & Accessories

AirSeal® Kit: LAS56R (Optional)

Note: Use only if factory installed tape or knockouts are removed from vertical adjustment slots in housing wall.

Labels

UL (Type IC Suitable for Damp Locations)

Complies with Air Leakage Requirements stated in the Model Energy Code and the Washington State Energy Code.

Romex® is a registered trademark of General Cable Industries Inc.

US and Foreign Patents Pending.

Job Information	Type:
Job Name:	
Cat. No.:	
Lamp(s):	
Notes:	

Lightolier a Genlyte company www.lightolier.com
 631 Airport Road, Fall River, MA 02720 • (508) 679-8131 • Fax (508) 674-4710
 We reserve the right to change details of design, materials and finish.
 © 2006 Genlyte Group LLC • B0406

LIGHTOLIER®