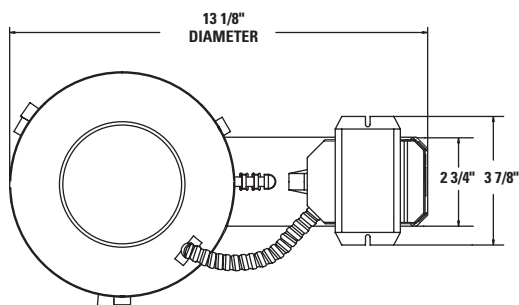
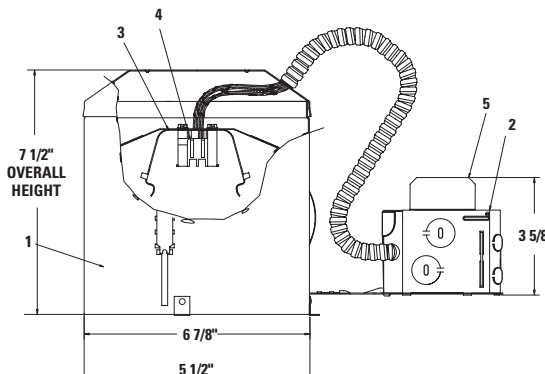


Lytecaster® Recessed Downlighting **1104F18RESR**

Page 1 of 1 6 3/4" Aperture **Lyte[™]zning®** 1 Lt 18W Quad/Triple Tube Compact Fluorescent IC Remodeler



Ceiling Opening 7" diameter



Complete Fixture consists of Reflector Trim & Frame-In Kit. Select each separately.

Frame-In Kit		Reflector Trims — See Individual Reflector Trim Specification Sheets								
Voltage	Lamp	Open Downlight						Enclosed Diffusers	Wall Washer	Cross Blade
		Anodized Reflector	Anodized Cone	Satin Cone	Baffles	Basic White				
1104F18RESR	120V 18W Quad or Triple Tube	1143	1112	1108	1105	1170M1	1121	1185	1132**	
		1144	1112NM	1108NM	1105BNM	1171	1124	1186		
		1144CD	1113	1110	1105NM		1126**	1186WH		
			1113BK	1110NM	1105WH		1128**	1135		
			1113BKNM		1176		1134	1135WH		
			1113CD		1176WH		1177SH			
			1113CDNM		1179M1*		1177LX**			
			1113NM		1179WH*		1178SH			
			1113WH				1190**			

Features

- Housing:** .032" (#20 ga.) UL listed for direct contact with thermal insulation. Allows installation in ceilings up to 2" thick. Can be removed for access to junction box, ballast and ceiling plenum. AirSeal® housing minimizes air leakage to less than 2 CFM at 1.57 PSF (or 75pa), which complies with Model Energy Code (Section 602.3.3) and Washington State Energy Code (Section 502.4) and reduces heat loss and condensation in ceiling.
- Junction Box:** 2 1/2" X 2 1/2" X 3 1/2" (21 cu. in.) .032" (#22 ga.) galvanized steel. UL listed for branch circuit wiring supplying connected luminaires. Integral cable clamps permit attachment of non-metallic (#12 or #14 ga.) Romex® cable without tools or additional connectors.
- Socket Housing:** Trim retaining spring secures trim to any height on housing wall.
- Socket:** (4 Pin, GX24q-2) base, molded thermo-plastic. Pre-wired with #18 AWG leads to junction box.
- Ballast:** Electronic 120V, end of life protected, FCC class "B" consumer limits, class "A" sound rating. Energy Star® qualified.

Electrical

Input Watts: 21
Amps: .33
Ballast Factor: 1.0 5
Power Factor: .50
Max THD %: <150
Min Start Temp: 0°F/ -18°C

* Recommend Triple Tube lamp for optimal performance.
** Use Triple Tube lamp only.

Options & Accessories

AirSeal® Kit: LAS56RT
(Required for AirSeal installation.)

Labels

UL (Type IC Suitable for Damp Locations)

†Complies with Air Leakage Requirements stated in the Model Energy Code, California Title 24 and the Washington State Energy Code.

Romex® is a registered trademark of General Cable Industries Inc.

Job Information	Type:
Job Name:	
Cat. No.:	
Lamp(s):	
Notes:	

Lightolier a Genlyte company www.lightolier.com
631 Airport Road, Fall River, MA 02720 • (508) 679-8131 • Fax (508) 674-4710
We reserve the right to change details of design, materials and finish.
© 2011 Genlyte Group LLC • D0711

LIGHTOLIER®