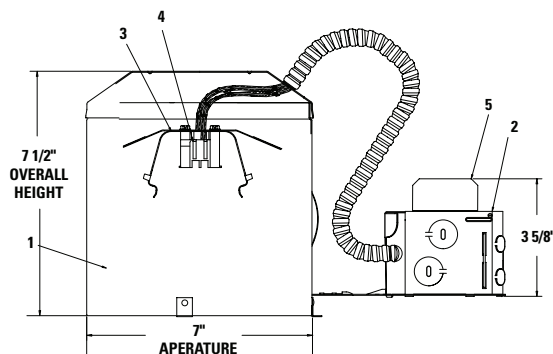
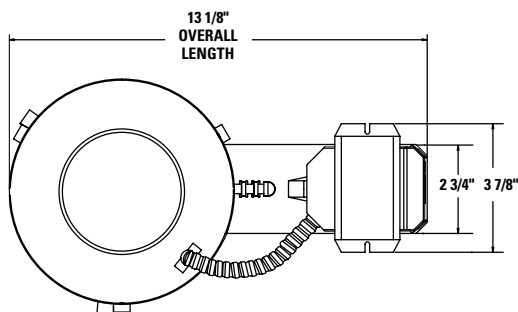


Lytecaster® Recessed Downlighting **1104F13RESR**

Page 1 of 1 6 3/4" Aperture **Lyte[™]ning**® 1 Lt 13W Quad / Triple Tube Compact Fluorescent IC Remodeler



Ceiling Opening 7" diameter

Complete Fixture consists of Reflector Trim & Frame-In Kit. Select each separately.

Frame-In Kit	Voltage	Lamp	Reflector Trims — See Individual Reflector Trim Specification Sheets							
			Open Downlight					Enclosed Diffusers	Wall Washer	Cross Blade
			Anodized Reflector	Anodized Cone	Satin Cone	Baffles	Basic White			
1104F13RESR	120V	13W Quad or Triple Tube	1143 1144 1144CD	1112 1112NM 1113 1113BK 1113BKNM 1113CD 1113CDNM 1113NM 1113WH	1108 1108NM 1110 1110NM	1105 1105BNM 1105NM 1105WH 1176 1176WH 1179M1 1179WH	1170M1 1171	1121 1124 1126 1128 1134 1177SH 1177LX 1178SH 1178LX 1190	1185 1186 1186WH	1132**

Features

- Housing:** .032" (#20 ga.) UL listed for direct contact with thermal insulation. Allows installation in ceilings up to 2" thick. Can be removed for access to junction box, ballast and ceiling plenum. AirSeal® housing minimizes air leakage to less than 2 CFM at 1.57 PSF (or 75pa), which complies with Model Energy Code (Section 602.3.3) and Washington State Energy Code (Section 502.4) and reduces heat loss and condensation in ceiling.
- Junction Box:** 2 1/2" X 2 1/2" X 3 1/2" (21 cu. in.) .032" (#22 ga.) galvanized steel. UL listed for branch circuit wiring supplying connected luminaires. Integral cable clamps permit attachment of non-metallic (#12 or #14 ga.) Romex® cable without tools or additional connectors.
- Socket Housing:** Trim retaining spring secures trim to any height on housing wall.
- Socket:** (4 Pin, GX24q-1) base, molded thermo-plastic. Pre-wired with #18 AWG leads to junction box.
- Ballast:** Electronic 120V, end of life protected, FCC class "B" consumer limits, class "A" sound rating. Energy Star® qualified.

Electrical

Input Watts: 15
Amps: .26
Ballast Factor: 1.0
Power Factor: >.50
Max THD %: <150
Min Start Temp: 0°F/ -18°C

** Use Triple Tube Lamp Only.

Options & Accessories

AirSeal® Kit: LAS56R
(Required for AirSeal® Installation)

Labels

UL (Type IC Suitable for Damp Locations)
Complies with Air Leakage Requirements stated in the Model Energy Code, California Title 24 and the Washington State Energy Code.
Romex® is a registered trademark of General Cable Industries Inc.

Job Information

Type:

Job Name:
Cat. No.:
Lamp(s):
Notes:

Lightolier a Genlyte company www.lightolier.com
631 Airport Road, Fall River, MA 02720 • (508) 679-8131 • Fax (508) 674-4710
We reserve the right to change details of design, materials and finish.
© 2011 Genlyte Group LLC • D0711

LIGHTOLIER®