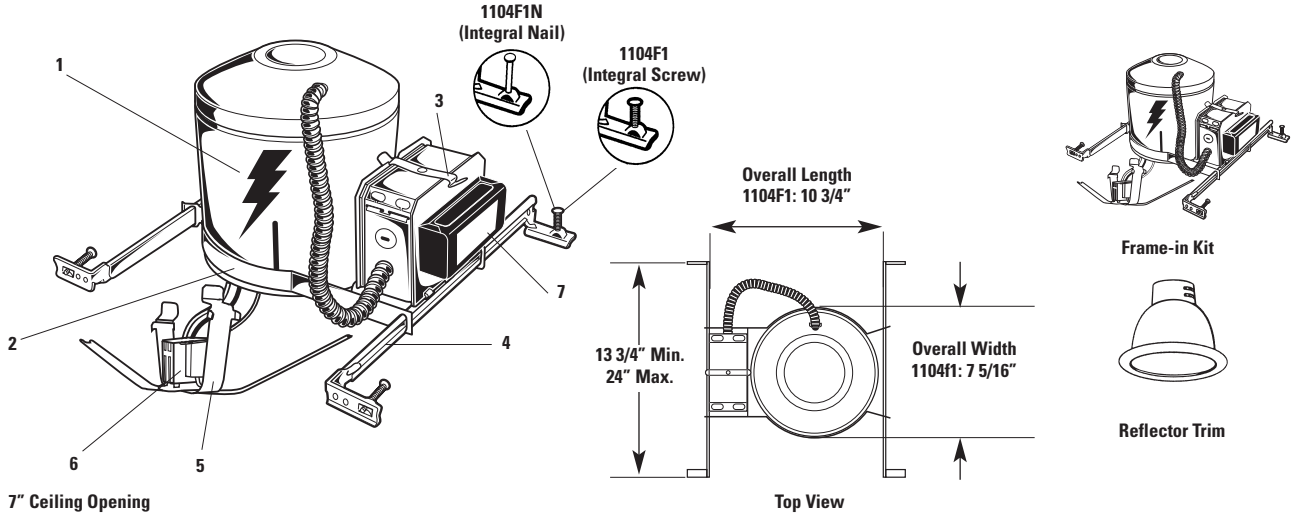


# Lytecaster® Recessed Downlighting **1104F1**

Page 1 of 1

6 3/4" Apertures **Lyteazing®** 1 Lt 13W Quad Tube Compact Fluorescent IC Frame-In Kit



Complete Fixture consists of Reflector Trim & Frame-In Kit. Select each separately.

Frame-In Kit	Reflector Trims — See Individual Reflector Trim Specification Sheets							
	Open Downlight						Enclosed Diffusers	Wall Washer
	Alzak® Reflector	Alzak® Cone	Satin Cone	Cross Blade	Baffles	Basic White		
1104F1	1143	1112	1108	1132	1105	1170M1	1121	1185
1104F1N	1144	1112NM	1108NM		1105BNM	1171	1124	1186
	1144CD	1113	1110		1105NM	B16	1126	1186WH
		1113BK	1110NM		1176		1128	
		1113WH			1176WH		1134	
		1113BKNM			1179M1		1177SH	
1113BKNM		1113CD			1179WH		1177LX	
		1113CDNM			B17		1178SH	
		1113NM			B17WH		1178LX	

## Features

- Housing:** .032" (#20 ga.) aluminum. UL listed for direct contact with thermal insulation. Allows installation in ceilings up to 2" thick. Can be removed for access to junction box, ballast and ceiling plenum. AirSeal® housing minimizes air leakage to less than 2 CFM at 1.57 PSF (or 75pa), which complies with Model Energy Code (Section 602.3.3) and Washington State Energy Code (Section 502.4) and reduces heat loss and condensation in ceiling.
- Mounting Frame:** .048" (#18 ga.) galvanized steel. Locks into position along length of mounting bars with locking spring and bendable slot. (3) slots 90° apart simplify alignment.
- Junction Box:** 2" X 4" X 3 1/2" (22 cu. in.) .032" (#22 ga.) galvanized steel. UL listed for maximum of 8 No. 12 AWG branch circuit conductors suitable for at least 90° C. Integral cable clamps permit attachment of non-metallic (#12 or #14 ga.) Romex® cable without tools or additional connectors.
- Mounting Bars:** .059" (#16 ga.) galvanized steel. Bars pivot for easy attachment and wire-in below ceiling line. Bars extend to accommodate 16" to 24" O.C. joist spacing. Bars can accommodate 9" O.C. joist spacing after a slight field modification (see Instruction Sheet). The 1104F1 features integral self-tapping phillips screws for secure attachment to wood or metal construction. The 1104F1N features integral nails for secure attachment to wood. Both attach to T-bar ceilings without the need of accessories.
- Socket Housing:** Trim retaining spring secures trim to any height on housing wall.
- Socket:** (2 Pin, GX23-2) base, molded thermo-plastic. Pre-wired with #18 AWG leads to junction box.
- Ballast:** Electro-magnetic, encased and potted, Class "P", thermally protected, normal power factor, 120V.

## Electrical

Input Watts: 15  
Amps: .28

## Options & Accessories

**AirSeal® Kit: LAS56**

**NOTE:** Use only if factory installed tape or knockouts are removed from vertical adjustment slots in housing wall.

## Labels

UL (Type IC Convertible; Suitable for Damp Locations)

Complies with Air Leakage Requirements stated in the Model Energy Code and the Washington State Energy Code.

Romex® is a registered trademark of General Cable Industries Inc.

Job Information	Type:
<b>Job Name:</b>	
<b>Cat. No.:</b>	
<b>Lamp(s):</b>	
<b>Notes:</b>	

Lightolier a Genlyte company

631 Airport Road, Fall River, MA 02720 • (508) 679-8131 • Fax (508) 674-4710

We reserve the right to change details of design, materials and finish.

© 2011 Genlyte Group LLC • C0711

www.lightolier.com

**LIGHTOLIER®**