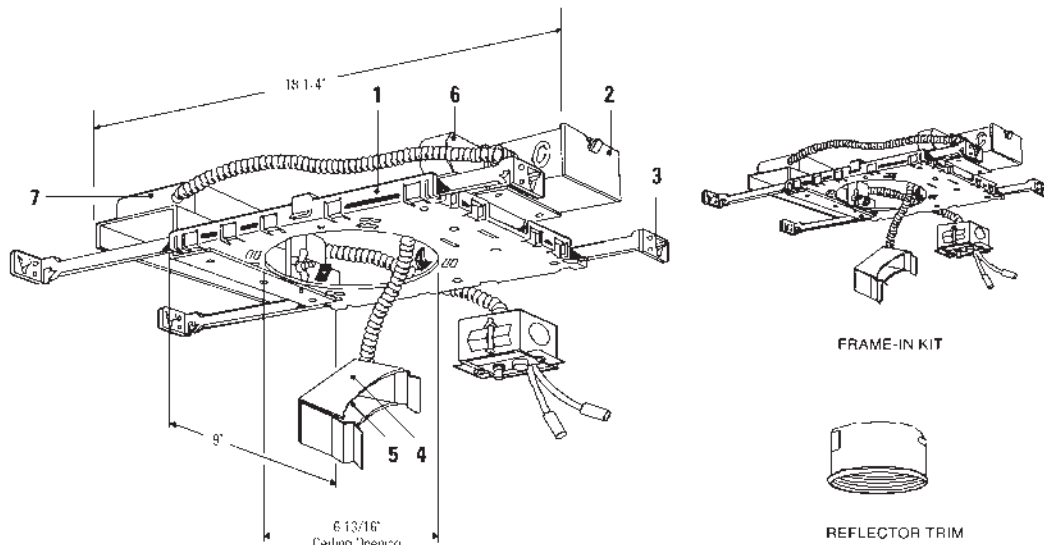


Lytecaster® Recessed Downlighting **1102T_UEM**



Complete Fixture consists of Reflector Trim & Frame-In Kit. Select each separately.

Frame-In Kit		Reflector Trims — See Individual Reflector Trim Spec Sheets				
		Open Downlight			Enclosed Diffusers	Wal Washer
Cone	Baffles	Cross Blade				
1102T13UEM 13W 4 Pin (G24q-1) 120V - 0.13amps 277V - 0.06amps	1113TGD	1105T	1132T	1126T	1135T	
1102T18UEM 18W 4 Pin (G24q-2) 120V - 0.17amps 277V - 0.08amps	1113TCL	1105TWH		1128T	1135TWH	
1102T26UEM* 26W 4 Pin (G24q-3) 120V - 0.24amps 277V - 0.11amps				1178T		

Features

- Mounting Frame:** .036" (#20 ga.) galvanized steel. Accommodates all ceilings up to 1" thick. Low profile 3 7/8" depth including ceiling material and reflector trim. For ceilings thicker than 5/8", depth from finished ceiling will be ceiling thickness (max. 1") plus 3/4". Push-in/twist-out rotoclips hold reflector flush to ceiling.
- Junction Box:** .063" (#14 ga.) galvanized steel. Rated for 8 #12 AWM through branch circuit wires suitable for 90° C, for end of run 75° C. Quick release "L" shaped cover for access to wiring. Integral cable clamps permit attachment of nonmetallic Romex® or armored cable without need of additional connectors.
- Mounting Bars:** Die-formed steel, #16 ga. Four bars, 13" long, extend to 27", permit off-center mounting; bars rotate 90° and lock in both directions; integral poised nailer for wood joists, locking tabs for T-bar runners.
- Socket Housing:** 22 ga. galvanized spring steel; snap-in quick assembly for precise lamp location.
- Socket:** Two-pin base, molded thermoplastic; prewired with #18 AWM leads to 4" x 3 1/2" x 2" junction box.
- Thermally Protected Ballast:** 2 light electromagnetic, encased and potted, class "P" high power factor. Insulation must be kept 3" away from fixture sides and wiring compartment and must not be placed above fixture as to entrap heat.
- Emergency Power Pack:** Electronic, fully encased and pre-wired nickel cadmium long life battery, replaceable from below. Meets requirements of National Electric Code and Life Safety Code. Test switch and charge light included in easy to install recessed switch box with 4 1/2" diameter matte white cover plate, 24" long flexible cable; may be installed up to 50 feet from fixture. One lamp operates at 61% initial output for 90 minutes when power fails.

Installation Requirements

- * FOR TYPE NON-IC MARKED SPACING
 Install with minimum spacings between
 (a) Center-to-center of adjacent luminaires: 610 mm (24 in);
 (b) Top of luminaire to overhead building member: 13 mm (1/2 in);
 (c) Luminaire center to side building member: 305 mm (12in).

Options & Accessories

- Concealed Spline Ceiling Kit:** 1965 - set of (4), 1 1/2" to 2 1/2" Mtg. Ht.
Plaster Ceiling Ring: 1961 - 7/8" depth for wet plaster ceilings.

Labels

UL (Suitable for Dry Locations), I.B.E.W.

Romex® is a registered trademark of General Cable Industries Inc.

Job Information	Type:
Job Name:	
Cat. No.:	
Lamp(s):	
Notes:	