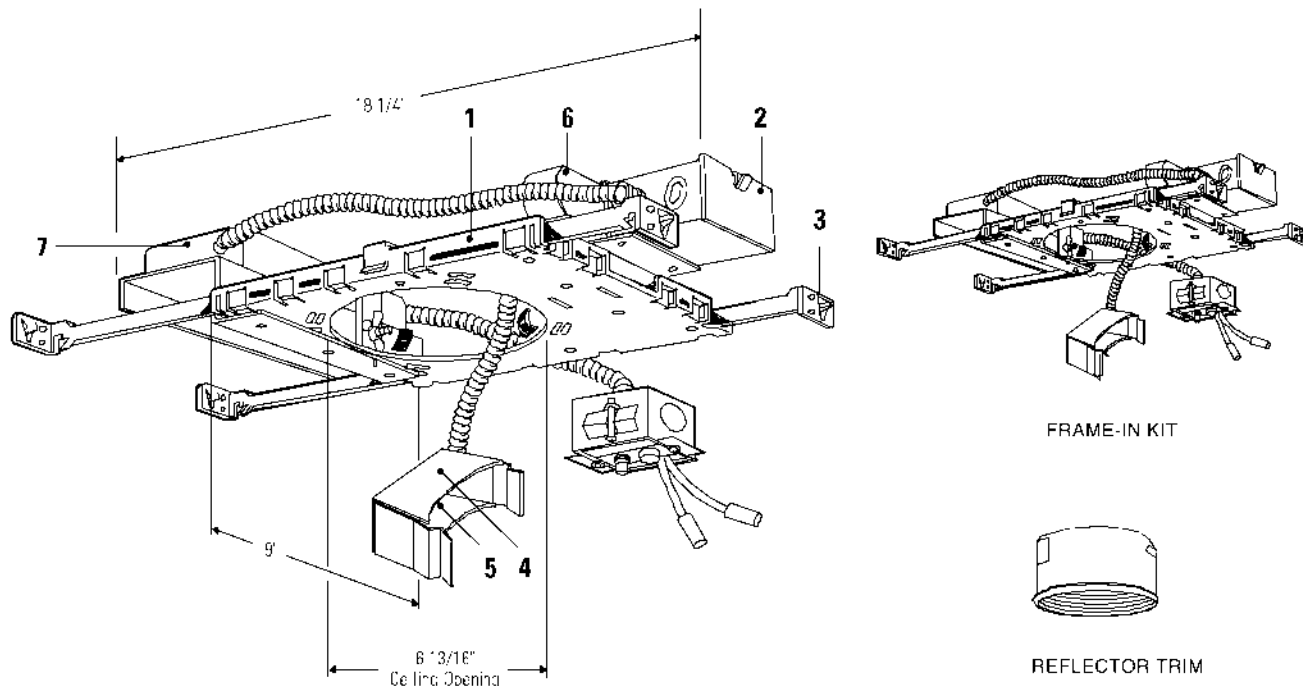


Lytecaster® Recessed Downlighting **1102TM1**



Complete Fixture consists of Reflector Trim & Frame-In Kit. Select each separately.

Frame-In Kit		Reflector Trims — See Individual Reflector Trim Specification Sheets				
		Open Downlight			Enclosed Diffusers	Wall Washer
		Cone	Baffles	Cross Blade		
1102TM1	HPF 120V	1113TGD	1105T	1132T	1126T	1135T
1102TM2	HPF 277V	1113TCL	1105TWH		1128T 1178T	

Features

- Mounting Frame:** .036" (#20 ga.) galvanized steel. Accommodates all ceilings up to 1" thick. Low profile 3 7/8" depth including ceiling material and reflector trim. For ceilings thicker than 5/8", depth from finished ceiling will be ceiling thickness (max. 1") plus 3 1/4". Push-in/twist-out rotoclips hold reflector flush to ceiling.
- Junction Box:** .063" (#14 ga.) galvanized steel. Rated for 8 #12 AWM through branch circuit wires suitable for 90° C, for end of run 75° C. Quick release "L" shaped cover for access to wiring. Integral cable clamps permit attachment of nonmetallic Romex® or armored cable without need of additional connectors.
- Mounting Bars:** Die-formed steel, #16 ga. Four bars, 13" long, extend to 27", permit off-center mounting; bars rotate 90° and lock in both directions; integral poised nailer for wood joists, locking tabs for T-bar runners.
- Socket Housing:** 22 ga. galvanized spring steel; snap-in quick assembly for precise lamp location.
- Socket:** Two-pin base, molded thermoplastic; prewired with #18 AWM leads to 4" x 3 1/2" x 2" junction box.
- Thermally Protected Ballast:** 2 light electromagnetic, encased and potted, class "P" high power factor. Insulation must be kept 3" away from fixture sides and wiring compartment and must not be placed above fixture as to entrap heat.
- Emergency Power Pack:** Electronic, fully encased and pre-wired nickel cadmium long life battery, replaceable from below. Meets requirements of National Electric Code and Life Safety Code. Test switch and charge light included in easy to install recessed switch box with 4 1/2" diameter matte white cover plate, 24" long flexible cable; may be installed up to 50 feet from fixture. One lamp operates at 61% initial output for 90 minutes when power fails.

Electrical

	120V	277V
HPF Input Watts	31	42
Amps	0.28	0.17
Minimum starting time is 32° F.		

Options & Accessories

- Concealed Spline Ceiling Kit:** 1965 - set of (4), 1 1/2" to 2 1/2" Mtg. Ht.
Plaster Ceiling Ring: 1961 - 7/8" depth for wet plaster ceilings.

Labels

UL (Suitable for Damp Locations), I.B.E.W.

Romex® is a registered trademark of General Cable Industries Inc.

Job Information	Type:
Job Name:	
Cat. No.:	
Lamp(s):	
Notes:	

Lightolier a Genlyte company www.lightolier.com
 631 Airport Road, Fall River, MA 02720 • (508) 679-8131 • Fax (508) 674-4710
 We reserve the right to change details of design, materials and finish.
 © 2011 Genlyte Group LLC • F0711

LIGHTOLIER®