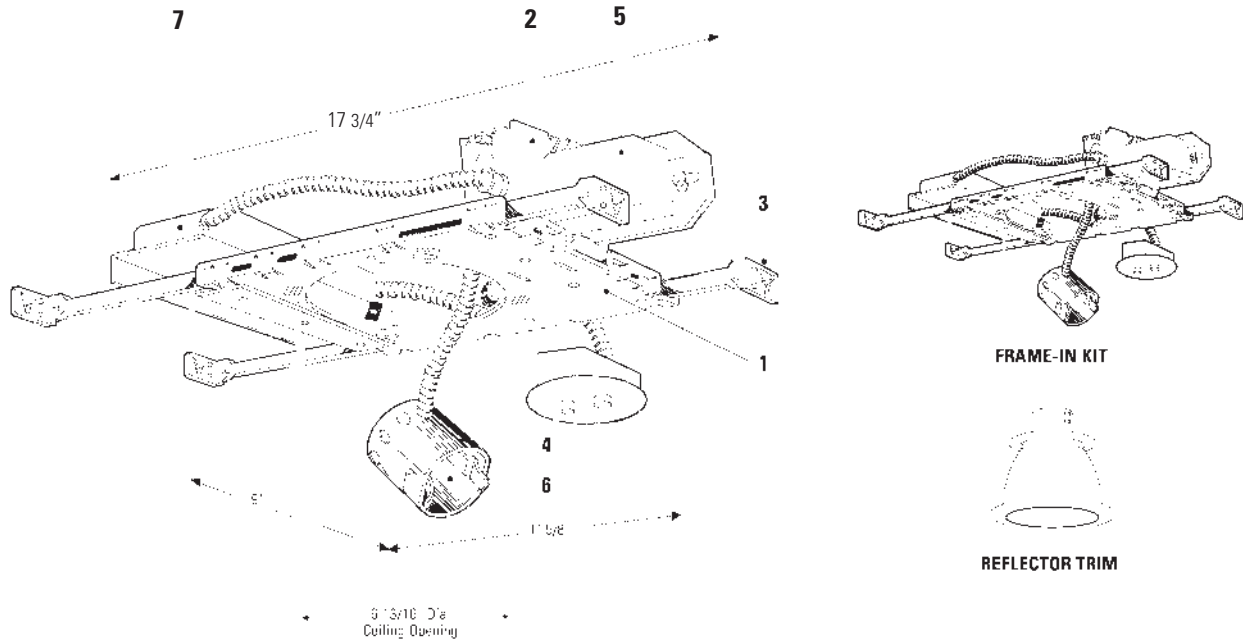


Lytecaster® Recessed Downlighting **1102DM1**

Page 1 of 1

6 3/4" Aperture 2 Light 13W Quad Tube Fluorescent Frame-In Kit



Complete Fixture consists of Reflector Trim & Frame-In Kit. Select each separately.

Frame-In Kit		Reflector Trims — See Individual Reflector Trim Specification Sheets							
		Open Downlight					Enclosed Diffusers	Wall Washer	
		Alzak® Reflector	Alzak® Cone	Satin Cone	Baffles	Basic White	Cross Blade		
1102DM1	120V	1143	1112	1108	1105	1170M1	1132	1121	1185
1102DM2	277V	1144	1113	1110	1105WH	1171		1124	1186
		1145	1113BK		1176			1126	1186WH
		1146	1113WH		1176WH			1128	
					1179M1			1134	
					1179WH			1177SH	
								1178SH	

Features

- Mounting Frame:** .036" (#20 ga.) galvanized steel. Accommodates all ceilings up to 1" thick. Push-in/twist-out rotoclips hold reflector flush to ceiling.
- Junction Box:** 4" x 3 1/2" x 2", .063" (#14 ga.) galvanized steel. U.L. listed for maximum of 8 No. 12 ga. 75° C through branch circuit conductors. Integral cable clamps permit attachment of nonmetallic Romex® or armored cable without need of additional connectors.
- Mounting Bars:** .059" (#16 ga.) galvanized steel. 13" long bars extend to 27", rotatable and lockable, with integral T-bar tabs. Attaches to wood joist or T-bar ceilings without need of accessories.
- Socket Housing:** Impact extruded aluminum, precisely attached to reflector by spring clips. Matte black finish. Vented for effective heat dissipation.
- Ballast:** Electromagnetic encased and potted class "P" thermally protected, high power factor. Insulation must be kept 3" away from fixture sides and wiring compartment and must not be placed above fixture in a manner which will entrap heat.
- Socket:** Two-pin Gx23-2 lamp base, molded thermoplastic. Pre-wired with #18 AWM leads to junction box.
- Emergency Power Pack:** Electronic, fully encased and pre-wired nickel cadmium long-life battery replaceable from below ceiling.

Meets requirements of National Electric Code and Life Safety Code. Test switch and charge light included in easy to install recessed switch box with 4 1/2" diameter matte white cover plate, 24" long flexible cable. One lamp illuminated at 60% initial output for 90 minutes when normal power fails.

Electrical

	120V	277V
Input watts:	34.3	48.1
Amps:	0.30	0.19
Minimum starting temperature is 32° F.		

Options & Accessories

- Mounting Bars:** 1976 - 13" set of (4)
Concealed Spline Ceiling Kit: 1965 - set of (4), 1 1/2" to 2 1/2" Mtg. Ht.
Plaster Ceiling Ring: 1961 - 7/8" depth for wet plaster ceilings.
Extra-Thick Ceiling Mounting Ring: 1967A - up to 2" thick ceilings.
Remodeler Anchor Clips: 1985S

Labels

UL (Emergency Lighting, Suitable for Dry Locations only), I.B.E.W.

Romex® is a registered trademark of General Cable Industries Inc.

Job Information	Type:
Job Name:	
Cat. No.:	
Lamp(s):	
Notes:	

Lightolier a Genlyte Thomas Company www.lightolier.com
 631 Airport Road, Fall River, MA 02720 • (508) 679-8131 • Fax (508) 674-4710
 We reserve the right to change details of design, materials and finish.
 © 2003 Genlyte Thomas Group LLC (Lightolier Division) • D0303

LIGHTOLIER®