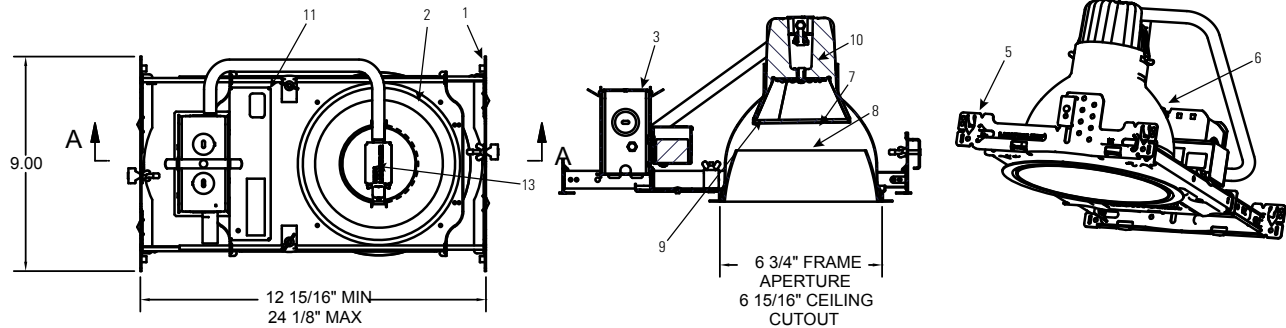


1101LED

Lytecaster, 6 3/4", LED, Non-IC, 1 Lt., FIK

Page 1 of 4



Trim compatibility for the 1101LED series frame-in-kits

Frame-in kit SKU	Anodized reflector	Cone	Satin Cone	Baffle	Cross-blade	Enclosed diffusers	Wall Washers	Open Wet
1101LED09N271 (120V)	1143	1112	1108	1105	1132	1121	1195	1184WH
1101LED09N272 (277V)	1144	1112NM	1108NM	1105NM		1124	1196	1184CD
1101LED09N351 (120V)	1144CD	1113	1110	1105WH		1126	1196CD	
1101LED09N352 (277V)	1145	1113NM	1110NM	1105BNM		1128		
1101LED09N27D1 (120V Dimming)	1146	1113BK		1176		1134		
1101LED09N35D1 (120V Dimming)	1146CD	1113BKNM		1176WH		1177SH		
		1113CD				1178SH		
		1113CDNM				1190		
		1113WH						

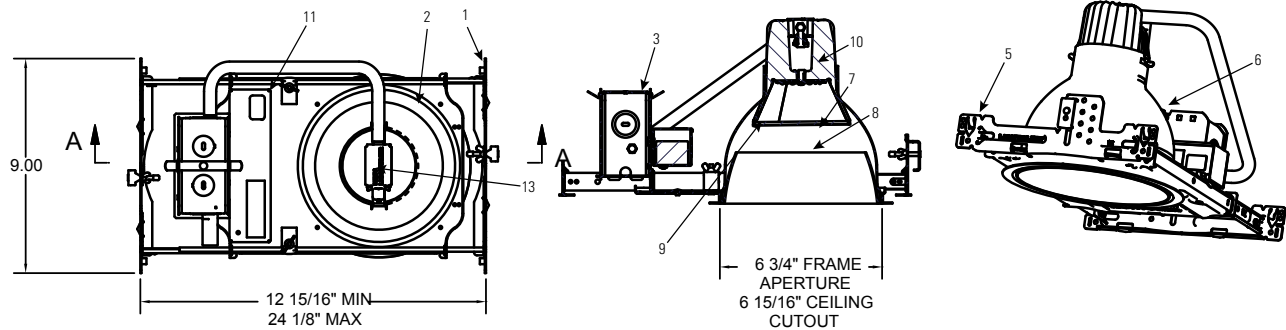
Job Information	Type:
Job Name:	
Cat. No.:	
Notes:	

PHILIPS
LIGHTOLIER

1101LED

Lytecaster, 6 3/4", LED, Non-IC, 1 Lt., FIK

Page 2 of 4



Energy star Lytecaster LED trim compatibility chart



The following trims meet the necessary requirements to obtain a commercial energy star listing when used with the 1101LED series of frame-in kits

6 3/4" Trims (1100 series) w/ 1101LED frames

1105	1110NM	1113CD	1144CDs	1190
1105NM	1112	1113CDNM	1145	
1105BNM	1112NM	1113WH	1146	
1105WH	1113	1126	1146CD	
1108	1113NM	1132	1176WH	
1108NM	1113BK	1143	1184CD	
1110	1113BKNM	1144	1184WH	

Job Information Type:

PHILIPS
LIGHTOLIER



Features

- 1. Mounting frame:** .036" (#20ga.) Galvanized Steel. Accommodates all ceilings up to 1 1/2" thick; including existing or inaccessible areas.
- 2. Trim clips:** "Push In / Twist Out" Stainless Steel clips hold reflector flush to ceiling.
- 3. Junction box:** 2" x 4" x 3-1/2" (22cu. in.) .032" (#22ga.) galvanized steel. UL Listed for maximum of 8 (#12ga.) through branch circuit conductors.
- 4. Uniframe mounting system – grid ceiling:** Tool free mounting in grid ceilings. .036" (20ga.) Galvanized Steel interlocking slide bars adjust to 24-1/8" long accommodating 24" O.C. Ceiling Grid. Adjustable speed clamps for positive attachment to grid ceiling systems.
- 5. Uniframe mounting system – wood joist ceiling:** Integral nailing tabs, alignment guides, fastener holes and bendable strapping guides for wood joist installation. Galvanized Steel interlocking slide bars adjust from 12-15/16" to 24-1/8" long to accommodate 16" and 24" O.C. joist spacing, with or without strapping.
- 6. Reflector:** See individual specification sheets for information.
- 7. Optical mixing chamber:** Designed to provide a spacing ratio of .9 (60° beam) when installed in standard Lytecaster trims. Optic design provides less glare than standard PAR lamps.
- 8. Lens:** Solite Glass lens has high transmission value with slight texturing to provide a smooth consistent beam distribution.
- 9. LED board:** Utilizes Philips Lumileds LED's.
- 10. Thermal management:** Proprietary heat sink was developed using the latest in Computational Fluid Dynamics Software. This optimized thermal design provides a 50,000 hour lifetime at 70% lumen maintenance. Cast aluminum heat sink is coated with a RoHS compliant coating (trivalent chromate) to resist corrosion in damp/wet environments.
- 11. Power supply/enclosure:** Factory wired electronic LED driver (see Electrical section for specifications) Enclosed in a 22Ga galvanized steel housing.
- 12. Thermal protector:** Meets NEC and UL requirements. Do not install insulation above or within 3" (76mm) of any part of the luminaire.
- 13. Top heat sink cover:** Tool free snap on enclosure bracket. 22-ga component houses the driver secondary tool free wire connector. Features (continued)

Electrical

Electronic power supply: RoHS compliant Class 2 power unit for use in a damp or dry location (Outdoor Type1 IP66). Class A sound rated unit tolerates sustained open circuit and short circuit output conditions without damage. Complies with FCC rules per Title 47 CFR Part 15 Non-Consumer (Class A) for EMI/RFI (conducted and radiated) at full load. Dimming (0-10V) version intended for use with 0-10V DC type dimmers. See LED-DIM.pdf for latest dimming switch compatibility.

Input Voltage	Input Frequency	Max Input Current	Max Input Power	Max THD	Power Factor	Minimum Operating Temperature	Dimming Signal
120V	50/60Hz	0.16	20W	< 20%	>.9	-20° C	N/A
120V Dim	50/60Hz	0.19	21W	< 20%	>.9	-20° C	0-10V
277V	50/60Hz	0.09	21W	< 20%	>.9	-20° C	N/A

Labels

UL Wet Location Classified
 ENERGY STAR® qualified for use with specific finishing trims (see p 2).
 5 Year Warranty.
 cULus Listed. Suitable for Damp Locations. I.B.E.W.

Accessories

1967A Extra Thick Ceiling Adapter (2" thk)

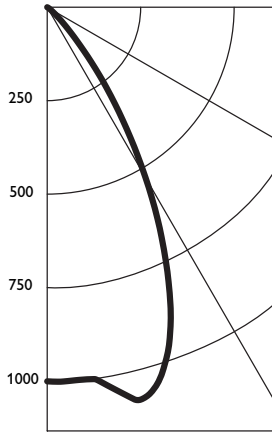
Job Information	Type:
------------------------	--------------



1101LED

Lytecaster, 6 3/4", LED, Non-IC, 1 Lt., FIK

Lytecaster LED, 2700K Uniframe



Angle	Mean CP
0	1001
5	1001
10	1038
15	1068
20	955
25	752
30	525
35	317
40	154
45	63
50	22
55	9
60	3
65	1
70	0
75	0
80	0
85	0
90	0

Catalog No: 1101LED09N271 / 1113

Report No.: F10146

Total Fixture Lumens: 995 lms

Color Temp: 2700K

Input Watts: 20.6W

Luminaire Efficacy: 48 lm/w

Spacing Criterion: 1.00

CRI: 82

		Coefficients of utilization									
		80%			70%			50%			0%
Ceiling	Wall	70	50	30	70	50	30	50	30	10	0
RCR		Zonal Cavity Method - Effective Floor Reflectance = 20%									
Room Cavity Ratio		119	119	119	116	116	116	111	111	111	100
0		114	111	108	111	109	107	105	103	101	94
1		108	103	99	106	102	98	98	95	93	87
2		103	96	92	101	95	91	92	89	86	81
3		98	90	85	96	89	84	87	83	79	76
4		93	85	79	91	84	78	82	77	73	71
5		88	79	73	87	79	73	77	72	68	66
6		84	75	69	82	74	68	73	68	64	62
7		80	70	64	79	70	64	69	64	60	58
8		76	66	61	75	66	60	65	60	56	55
9		72	63	57	71	62	57	62	57	53	51
10											

Zonal lumens and percentages

Zone	Lumens	%Lamp	%Fixt
0-30	731	N/A	74
0-40	930	N/A	94
0-60	993	N/A	99
0-90	994	N/A	100

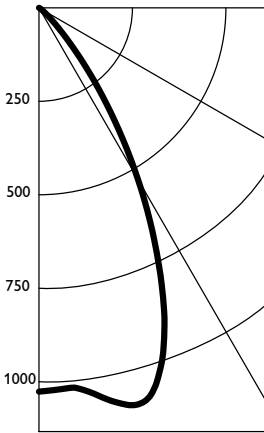
Single Unit Data

Height to	Initial	Beam
Lighted	Center Beam	Diameter*
Plane	Foot-Candles	
6'	28	6
7'	20	7
8'	21	8

Tested using absolute photometry as specified in LM79: IESNA Approved Method for the Electrical and Photometric Measurements of Solid-State Lighting Products.

*Beam diameter is where foot-candles drop to 50% of maximum.

Lytecaster LED, 3500K Uniframe



Angle	Mean CP
0	1027
5	1020
10	1064
15	1090
20	973
25	759
30	529
35	318
40	156
45	63
50	24
55	9
60	3
65	1
70	0
75	0
80	0
85	0
90	0

Catalog No: 1101LED09N351 / 1113

Report No.: F10142

Total Fixture Lumens: 1010 lms

Color Temp: 3500K

Input Watts: 20.6W

Luminaire Efficacy: 49 lm/w

Spacing Criterion: 0.98

CRI: 82

		Coefficients of utilization									
		80%			70%			50%			0%
Ceiling	Wall	70	50	30	70	50	30	50	30	10	0
RCR		Zonal Cavity Method - Effective Floor Reflectance = 20%									
Room Cavity Ratio		119	119	119	116	116	116	111	111	111	100
0		114	111	108	111	109	107	105	103	101	94
1		108	103	99	106	102	98	98	95	93	87
2		103	96	92	101	95	91	92	89	86	81
3		98	90	85	96	89	84	87	83	79	76
4		93	85	79	91	84	78	82	77	74	71
5		88	79	73	87	79	73	77	72	69	66
6		84	75	69	82	74	68	73	68	64	62
7		80	70	64	79	70	64	69	64	60	58
8		76	66	61	75	66	60	65	60	56	55
9		72	63	57	71	62	57	62	57	53	52
10											

Zonal lumens and percentages

Zone	Lumens	%Lamp	%Fixt
0-30	743	N/A	74
0-40	944	N/A	94
0-60	1009	N/A	99
0-90	1010	N/A	100

Single Unit Data

Height to	Initial	Beam
Lighted	Center Beam	Diameter*
Plane	Foot-Candles	
6'	29	6
7'	21	7
8'	16	8

Tested using absolute photometry as specified in LM79: IESNA Approved Method for the Electrical and Photometric Measurements of Solid-State Lighting Products.

*Beam diameter is where foot-candles drop to 50% of maximum.



Philips Lightolier
 e: lol.webmaster@philips.com
 t: (508) 679-8131
 w: www.lightolier.com
 1101LED October 27, 2011

Specifications are subject to change without notice.
 © Koninklijke Philips Electronics N.V., 2010. All rights reserved.

Job Information Type: