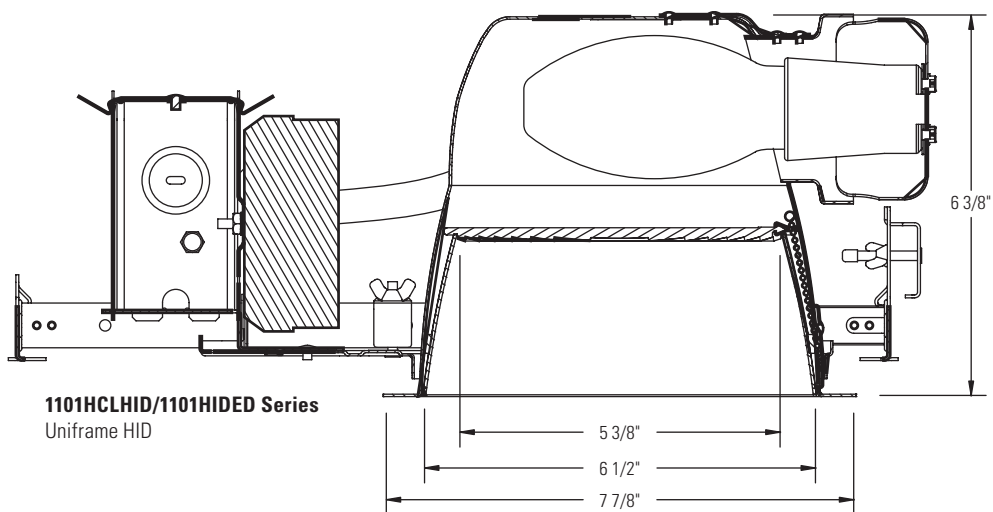


# Lytecaster Performance Recessed HID Downlighting **1101HLHID**

Page 1 of 2

6 3/4" Aperture Horizontal Wet Location, HID, Performance Series, Reflector Trim



**1101HLHID/1101HIDED Series**  
Uniframe HID

Complete Fixture consists of Frame-In Kit and Reflector Trim. Select each separately.

Uniframe HID ED17 Performance Series Reflector Trims		Compatible Frame-In Kits (See Individual Frame-In Kit Specification Sheets)		
Catalog No.	Description	Catalog No.	Installation Type	Lamping
<b>1101HCLFHID</b> <b>1101HCDFHID</b>	6 3/4" Spec Clear Cone Fresnel Lens 6 3/4" Clear Diffuse Cone Fresnel Lens	<b>1101HIDED50U</b>	NON-IC	50W ED17 OPEN
		<b>1101HIDED70U</b>		70W ED17 OPEN
		<b>1101HIDED100U</b>		100W ED17 OPEN
		<b>1101HIDED50ULC</b>	NON-IC Chicago Plenum	50W ED17 OPEN
		<b>1101HIDED70ULC</b>		70W ED17 OPEN
		<b>1101HIDED100ULC</b>		100W ED17 OPEN

## Features

- 1. Reflector:** Formed aluminum. Matte White flange.
- 2. Finishes:** CL = Specular Clear (Iridescent Free coating)  
CD = Clear Diffuse
- 3. Lens:** Glass Fresnel Lens
- 4. Performance Data:** 60° Cutoff angle.  
See attached photometric reports for distribution and efficiency data.  
Go to [www.lightolier.com](http://www.lightolier.com) for .IES files.

## Labels

cULus Listed. Suitable for Wet Locations. I.B.E.W.

## Job Information

Type:

Job Name:

Cat. No.:

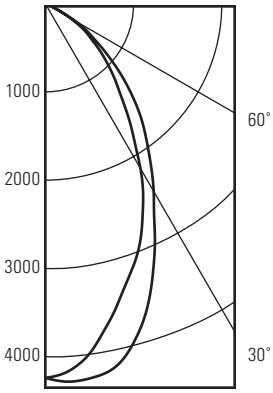
Lamp(s):

Notes:

# Lytecaster Performance Recessed HID Downlighting **1101HLHID**



## 1101HCLF HID 100W ED-17 Coated Metal Halide - Lumen Rating 7900Lms, CL Finish Trim



	0	45	90
0	3942	3942	3942
5	3995	3941	3838
10	3939	3789	3511
15	3668	3469	3141
20	3248	3137	2831
25	2745	2687	2429
30	2293	2275	2020
35	1899	1873	1581
40	1577	1511	1217
45	1227	1186	963
50	887	860	731
55	591	591	532
60	378	334	305
65	122	106	99
70	15	18	17
75	12	14	12
80	19	10	6
85	18	18	7
90	8	10	10

Height to Lighted Plane	Initial Footcandles	Beam Diameter
8'	61	7'
10'	39	9
12'	27	11'
14'	20	13'

Spacing On Ctr.	Avg. Initial Footcandles	Watts/ Sq. Ft.
6'	129	2.84
8'	90	1.97
10'	57	1.26

38'x38'x10' Room, Workplane 2 1/2' above floor, 80/50/20% Reflectances

Zone	Lumens	%Luminaire
0-30	2544	49.0%
0-40	3674	70.0%
0-60	5067	97.0%
0-90	5230	100.0%

Ceiling	80%		70%		50%		30%		0		
Wall	70	50	30	10	50	10	50	10	0		
RCR	Zonal Cavity Method - Effective Floor Reflectance = 20%										
Room Cavity Ratio	0	79	79	79	77	77	74	74	70	70	66
1	74	72	70	68	71	67	68	65	65	63	60
2	70	66	62	60	64	59	62	58	60	56	54
3	65	60	56	52	59	52	57	51	55	50	48
4	61	55	50	47	54	46	52	46	51	45	44
5	57	50	45	42	49	42	48	41	47	41	39
6	53	46	41	38	45	38	44	37	43	37	36
7	50	43	38	34	42	34	41	34	40	34	33
8	47	39	35	32	39	31	38	31	37	31	30
9	44	37	32	29	36	29	36	29	35	29	28
10	42	34	30	27	34	27	33	27	33	27	26

Determined In Accordance With Current IES Published Procedures  
Luminaire Input Watts = 33.0

CERTIFIED TEST REPORT NO. 4066FR

Trim/Frame: 1101HCLFHID/1001HIDED100U  
 Lamp lumens: 7900 lm  
 Input Watts: 114 W  
 Efficiency: 66.0 %  
 Spacing Criterion (0-180): 0.96  
 Spacing Criterion (90-270): 0.88

<b>Job Information</b>	<b>Type:</b>
------------------------	--------------