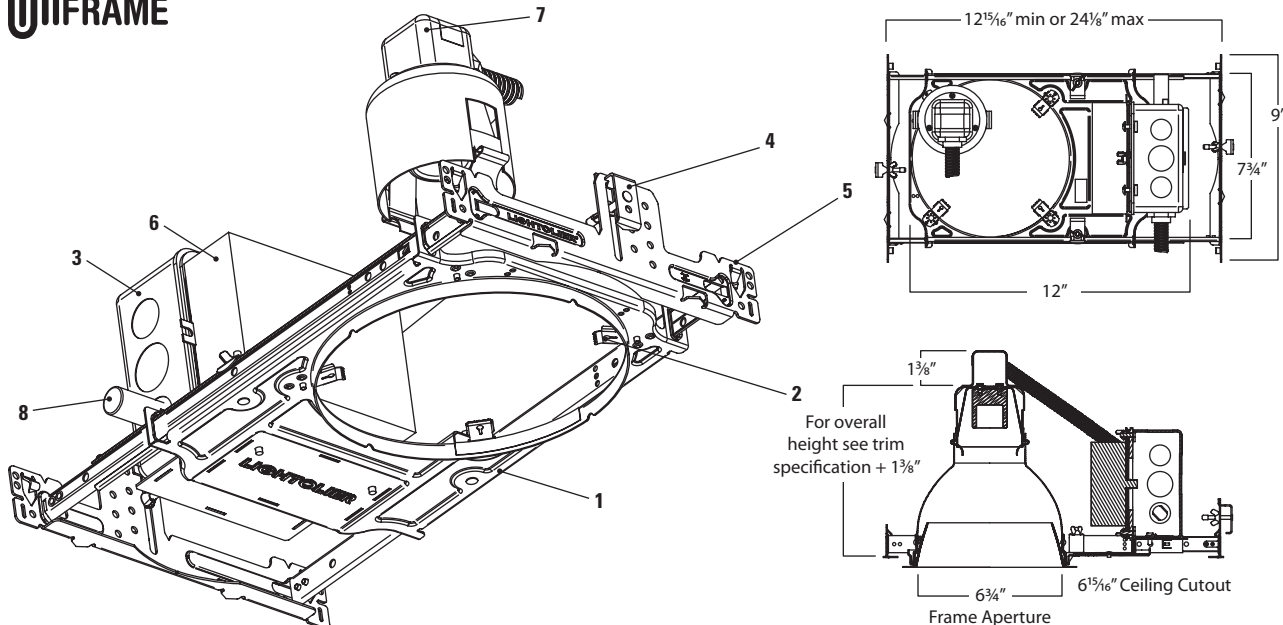


Lytecaster Performance Recessed HID Downlighting **1101HIDPLC**

Page 1 of 1

6 3/4" Aperture, 1 Light, HID PAR, Chicago Plenum, Non-IC Frame-In Kit



Complete Fixture consists of Frame-In Kit and Reflector Trim. Select each separately.

UniFrame HID LC PAR Frame-In Kit		Performance Reflector Trims (Reference Trim Spec Sheet for Recommended Lamping)	
Cat. No.	Lamp	Cone	Baffle
1101HIDP39ULC	39W PAR20 Ceramic MH	1113HID 1113CDHID	1105HID 1105WHHID
	39W PAR30L Ceramic MH		
1101HIDP70ULC	70W PAR30L Ceramic MH		
	70W PAR38 Ceramic MH		
1101HIDP100ULC*	100W PAR38 Ceramic MH		

*Marked spacing of 2 feet on center required.

Features

- Mounting Frame:** Chicago Plenum .036" (#20ga.) galvanized steel. Accommodates all ceilings up to 1 1/2" thick.
- Trim Clips:** "Push In / Twist Out" Stainless Steel clips hold reflector flush to ceiling.
- Junction Box:** 4 11/16" SQ (45 cu in) .074" (#13ga.) galvanized steel. UL listed for maximum of 4 (#12ga.) through branch circuit conductors.
- UniFrame™ Mounting System – Grid Ceiling:** Tool free mounting in grid ceilings. .036" (20ga.) Galvanized Steel interlocking slide bars adjust to 24-1/8" long accommodating 24" O.C. Ceiling Grid. Adjustable speed clamps for positive attachment to grid ceiling systems.
- UniFrame™ Mounting System – Wood Joist Ceiling:** Integral nailing tabs, alignment guides, fastener holes and bendable strapping guides for wood joist installation. Galvanized Steel interlocking slide bars adjust from 12-15/16" to 24-1/8" long to accommodate 16" and 24" O.C. joist spacing, with or without strapping.
- Electronic Ballast:** Universal 120/277V, 50/60Hz., enclosed, high-power factor, T.H.D. <15%, thermally and transient protected, RMI/RFI complies with FCC Part 18 non-consumer equipment, shut-down circuit at end of lamp life, sound rating "A", -5°F (-20°F for 150W) minimum starting temperature, Type 1 outdoor rating. Assecible from below for inspection and/or replacement without tools.
- Socket Housing:** Galvanized Steel, Pre wired With medium based pulse rated socket. Snaps onto reflector for secure attachment without tools; assures proper lamp alignment to optics for consistent performance.
- Thermal Protector:** Meets NEC and UL requirements. Do not install insulation above nor within 3" (76mm) of any part of the luminaire.

Electrical

Ballast	Ansi Code	Voltage	Max. Amps	Input Watts	
39W MH	M130	120/277V	.39/.18	46	HPF>90%
70W MH	M98,M139,M143		.69/.30	81	
100W MH	M90,M140,M164		.96/.43	114	

Labels

cULus Listed. Suitable for Damp Locations. I.B.E.W.

Accessories

1967B Extra Thick Ceiling Adapter (2" thk)

Job Information	Type:
Job Name:	
Cat. No.:	
Lamp(s):	
Notes:	