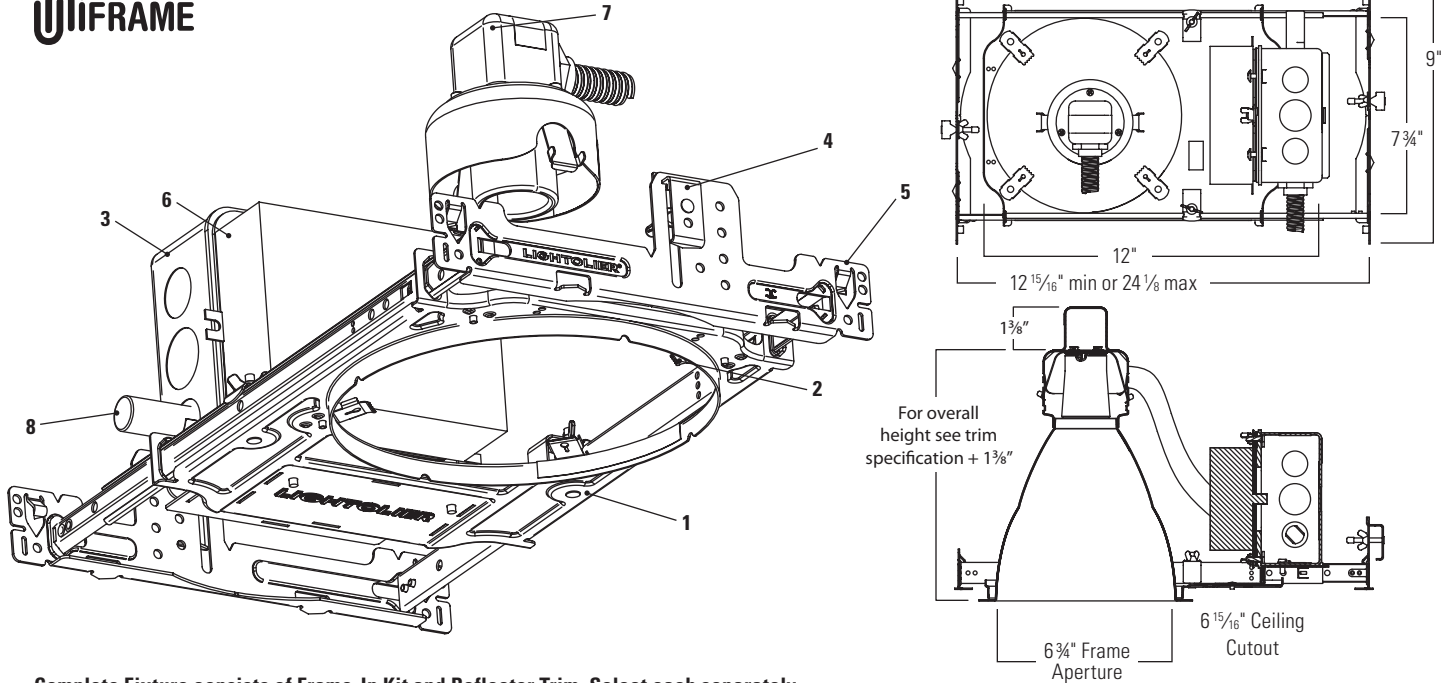


Lytecaster Performance Recessed HID Downlighting **1101HIDEDLC**

Page 1 of 1

6 3/4" Aperture, 1 Light, HID ED17, Chicago Plenum, Non-IC Frame-In Kit



Complete Fixture consists of Frame-In Kit and Reflector Trim. Select each separately.

UniFrame HID ED17 LC Frame-In Kit		Performance Reflector Trims (Reference Trim Spec Sheet for Recommended Lamping)				
Cat. No.	Lamp	Vertical Open	Vertical Wall Wash - Single	Horizontal Open	Horizontal Wall Wash - Single	Horizontal Wet Location - Diffused
1101HIDED50ULC	50W ED17 Open	1101CL	1101CLSW	1101HCL	1101HCLSW	1101HCLFHID
1101HIDED70ULC	70W ED17 Open	1101CD	1101CDSW	1101HCD	1101HCDSW	1101HCDFHID
1101HIDED100ULC*	100W ED17 Open					

*Marked spacing of 2 feet on center required.

Features

- Mounting Frame:** Chicago Plenum .036" (#20ga.) galvanized steel. Accommodates all ceilings up to 1 1/2" thick.
- Trim Clips:** "Push In / Twist Out" Stainless Steel clips hold reflector flush to ceiling.
- Junction Box:** 4 11/16" SQ (45 cu in) .074" (#13ga.) galvanized steel. UL listed for maximum of 4 (#12ga.) through branch circuit conductors.
- UniFrame™ Mounting System – Grid Ceiling:** Tool free mounting in grid ceilings. .036" (20ga.) Galvanized Steel interlocking slide bars adjust to 24-1/8" long accommodating 24" O.C. Ceiling Grid. Adjustable speed clamps for positive attachment to grid ceiling systems.
- UniFrame™ Mounting System – Wood Joist Ceiling:** Integral nailing tabs, alignment guides, fastener holes and bendable strapping guides for wood joist installation. Galvanized Steel interlocking slide bars adjust from 12-15/16" to 24-1/8" long to accommodate 16" and 24" O.C. joist spacing, with or without strapping.
- Electronic Ballast:** Universal 120/277V, 50/60Hz., encased, high-power factor, T.H.D. <15%, thermally and transient protected, RMI/RFI complies with FCC Part 18 non-consumer equipment, shut-down circuit at end of lamp life, sound rating "A", -5°F (-20°F for 150W) minimum starting temperature, Type 1 outdoor rating. Assecible from below for inspection and/or replacement without tools.
- Socket Housing:** Galvanized Steel, Pre wired With medium based pulse rated socket. Snaps onto reflector for secure attachment without tools; assures proper lamp alignment to optics for consistent performance.
- Thermal Protector:** Meets NEC and UL requirements. Do not install insulation above nor within 3" (76mm) of any part of the luminaire.

Electrical

Ballast	Ansi Code	Voltage	Max. Amps	Input Watts	
50W MH	M110, M148	120/277V	.50/.23	58	HPF>90%
70W MH	M98, M139, M143		.69/.30	81	
100W MH	M90, M140, M164		.96/.43	114	

Labels

cULus Listed. Suitable for Damp Locations. I.B.E.W.

Accessories

1967B Extra Thick Ceiling Adapter (2" thk)

Job Information	Type:
Job Name:	
Cat. No.:	
Lamp(s):	
Notes:	