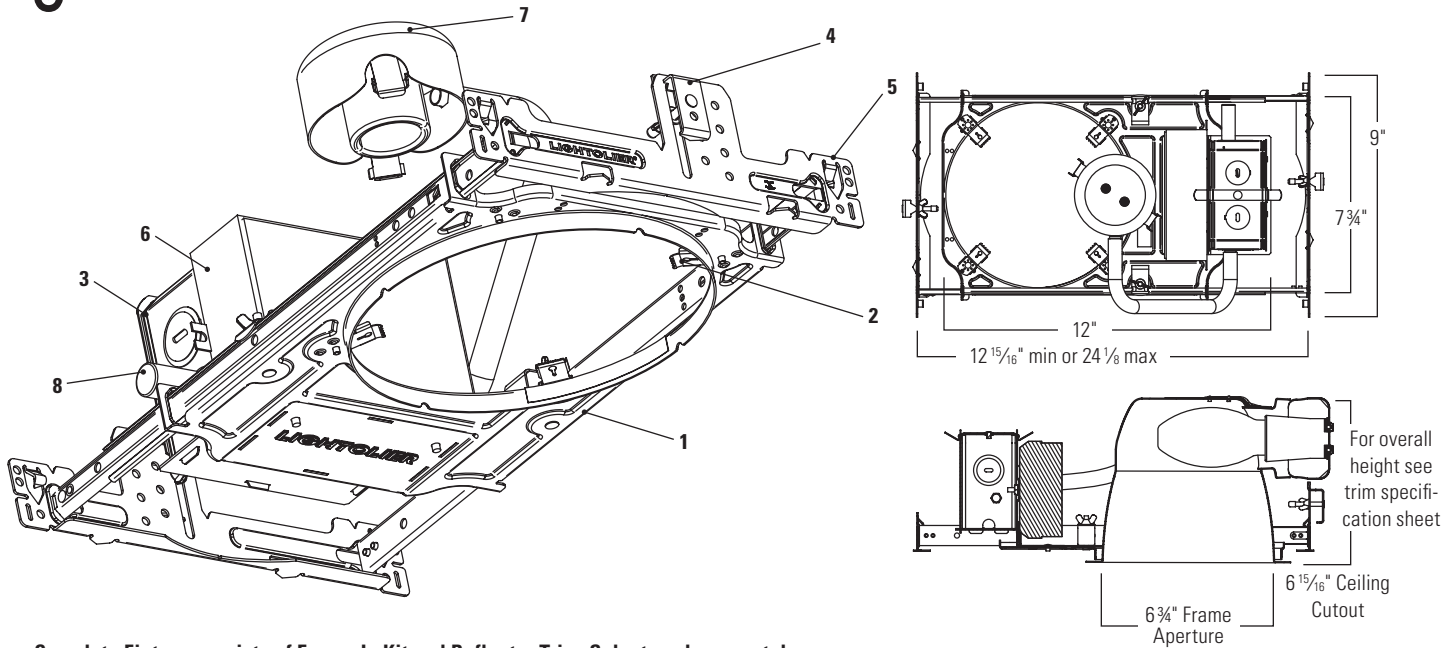


# Lytecaster Performance Recessed HID Downlighting **1101HIDED**

Page 1 of 1

6 3/4" Aperture, 1 Light, HID ED17, Non-IC Frame-In Kit



Complete Fixture consists of Frame-In Kit and Reflector Trim. Select each separately.

UniFrame HID ED17 Frame-In Kit		Performance Reflector Trims (Reference Trim Spec Sheet for Recommended Lamping)				
Cat. No.	Lamp	Vertical Open	Vertical Wall Wash - Single	Horizontal Open	Horizontal Wall Wash - Single	Horizontal Wet Location - Diffused
1101HIDED50U	50W ED17 Open	1101CL	1101CLSW	1101HCL	1101HCLSW	1101HCLFHID
1101HIDED70U	70W ED17 Open	1101CD	1101CDSW	1101HCD	1101HCDSW	1101HCDFHID
1101HIDED100U*	100W ED17 Open					

\*Marked spacing of 2 feet on center required.

## Features

- Mounting Frame:** .036" (#20ga.) Galvanized Steel. Accommodates all ceilings up to 1 1/2" thick; including existing or inaccessible areas.
- Trim Clips:** "Push In / Twist Out" Stainless Steel clips hold reflector flush to ceiling.
- Junction Box:** 2" x 4" x 3-1/2" (22cu.in.) .032" (#22ga.) galvanized steel. UL Listed for maximum of 4 (#12ga.) through branch circuit conductors.
- UniFrame™ Mounting System – Grid Ceiling:** Tool free mounting in grid ceilings. .036" (20ga.) Galvanized Steel interlocking slide bars adjust to 24-1/8" long accommodating 24" O.C. Ceiling Grid. Adjustable speed clamps for positive attachment to grid ceiling systems.
- UniFrame™ Mounting System – Wood Joist Ceiling:** Integral nailing tabs, alignment guides, fastener holes and bendable strapping guides for wood joist installation. Galvanized Steel interlocking slide bars adjust from 12-15/16" to 24-1/8" long to accommodate 16" and 24" O.C. joist spacing, with or without strapping.
- Electronic Ballast:** Universal 120/277V, 50/60Hz., enclosed, high-power factor, T.H.D. <15%, thermally and transient protected, RMI/RFI complies with FCC Part 18 non-consumer equipment, shut-down circuit at end of lamp life, sound rating "A", -5°F (-20°F for 150W) minimum starting temperature, Type 1 outdoor rating. Assecible from below for inspection and/or replacement without tools.
- Socket Housing:** Galvanized Steel, Pre wired With medium based pulse rated socket. Snaps onto reflector for secure attachment without tools; assures proper lamp alignment to optics for consistent performance.
- Thermal Protector:** Meets NEC and UL requirements. Do not install insulation above nor within 3" (76mm) of any part of the luminaire.

## Electrical

Ballast	Ansi Code	Voltage	Max. Amps	Input Watts	
50W MH	M110, M148	120/277V	.50/.23	58	HPF>90%
70W MH	M98, M139, M143		.72/.31	86	
100W MH	M90, M140		.96/.42	115	

## Labels

cULus Listed. Suitable for Damp Locations. I.B.E.W.

## Accessories

1967A Extra Thick Ceiling Adapter (2" thk)

Job Information	Type:
<b>Job Name:</b>	
<b>Cat. No.:</b>	
<b>Lamp(s):</b>	
<b>Notes:</b>	