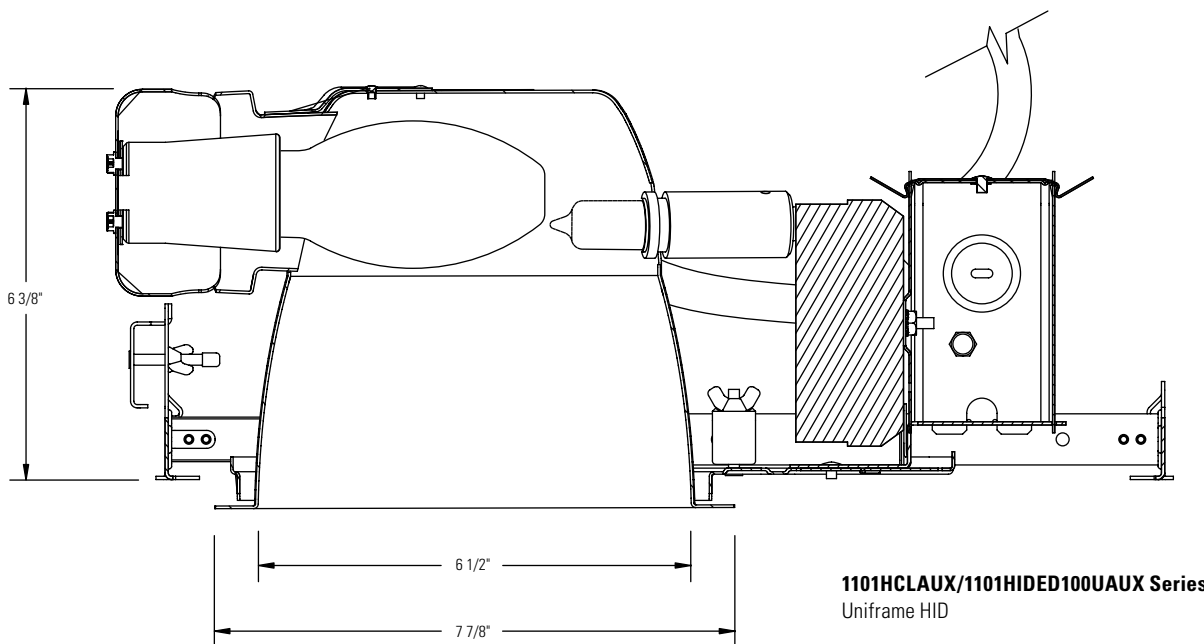


# Lytecaster Performance Recessed Downlighting **1101HAUX**



**1101HCLAUX/1101HIDED100UAUX Series**  
Uniframe HID

Complete Fixture consists of Frame-In Kit and Reflector Trim. Select each separately.

| Reflector Trims                                |                      | Frame-In Kits<br>(See Individual Frame-In Kit Specification Sheets) |                          |                |
|--|----------------------|---|--------------------------|----------------|
| Catalog No.                                    | Description          | Catalog No.   | Installation Type        | Lamping        |
| <b>1101HCLAUX</b>                              | 6 3/4" Spec Clear    | <b>1101HIDED70UAUX</b>  | Uniframe Non-IC 120-277V | 70W ED17 Open  |
| <b>1101HCDAUX</b>                              | 6 3/4" Clear Diffuse |   |                          |                |
| Note: Auxiliary Lamp - 100W T4 (D.C. Bay Base) |                      | <b>1101HIDED100UAUX</b>   | Uniframe Non-IC 120-277V | 100W ED17 Open |

### Features

- 1. Reflector:** Formed aluminum. Matte White flange.
- 2. Finishes:** CL = Specular Clear (Iridescent Free coating)  
CD = Clear Diffuse
- 3. Performance Data:** 60° Cutoff angle.  
See attached photometric reports for distribution and efficiency data.

### Labels

cULus Listed. Suitable for Damp Locations. I.B.E.W.

### Job Information

### Type:

**Job Name:**

**Cat. No.:**

**Lamp(s):**

**Notes:**



### Auxiliary Lighting for Recessed HID Luminaires and Cylinders (A)

H.I.D. lamps require a "warm-up" period of 5 to 10 minutes to reach full output. Additionally, when these lamps are extinguished they must cool for 5 to 15 minutes before they will relight. Outage can be caused by momentary power failure, substantial voltage reduction or cycle changes.

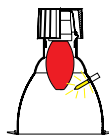
To provide a minimum level of illumination, a double-contact bayonet socket and solid-state switching device, (for use with a 120V tungsten-halogen lamp) operate during initial H.I.D. lamp warm-up, or cold-off-and-restart period.

The tungsten-halogen lamp remains on until the HID lamp reaches approximately 60% of its light output.

Note: The auxiliary is not emergency lighting and will only operate when there is power to the luminaire.

### Maximum Tungsten-Halogen Lamp Wattage

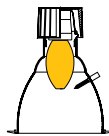
| HID Lamp      | Tungsten-Halogen Lamp T-4, 120V Double-Contact Bayonet |
|---------------|--|
| 70W-100W ED17 | 100W   |



### Mode of Operation

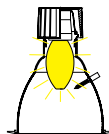
#### Initial Start:

H.I.D. lamp and tungsten halogen lamp both energized. H.I.D. lamp starts warming up; tungsten-halogen lamp at full output.



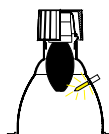
#### Partial Warm-Up:

H.I.D. lamp reaches approximately 60% light output; tungsten-halogen lamp switched off.



#### Full Warm-Up:

H.I.D. lamps at 100% light output.



#### "Hot" Restart:

H.I.D. lamp and tungsten-halogen lamp both energized. H.I.D. lamp too hot to start; tungsten-halogen lamp at full output. After H.I.D. lamp cools down and starts, cycle begins as in "Initial Start" above.

**Job Information**

**Type:**