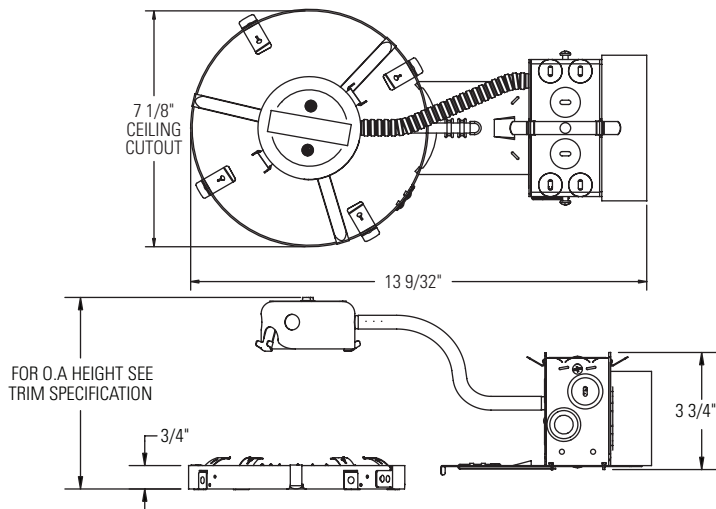
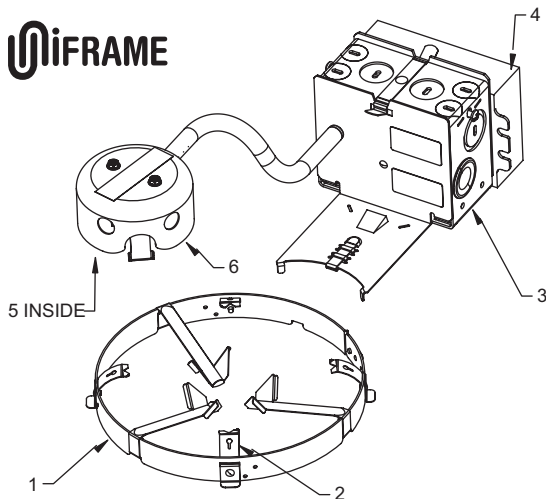


Performance Recessed CFL Downlighting **1101FRD**

Page 1 of 2

6 3/4" Aperture, 1 Light, Compact Fluorescent, Non-IC, Dimming, Remodeler, Frame-In Kit



Complete Fixture consists of Frame-In Kit and Reflector Trim. Select each separately.

Uniframe™ Frame-In Kit	Uniframe™ Compact Fluorescent Performance Series Reflector Trims						
	Vertical Open	Vertical Wall Wash - Single	Vertical Wall Wash - Double	Horizontal Open	Horizontal Wall Wash - Single	Horizontal Wet Location Lensed / Diffused	Horizontal Cross Blade
1101FR264MX1 (Advance Mark X- 120V) 26W Quad/ Triple, GX24q-3 120V- 0.26amp max 32W Triple, GX24q-3 120V- 0.32amp max 42W Triple, GX24q-4 120V- 0.41amp max	1101CL 1101CD 1101WH	1101CLSW 1101CDSW 1101WHSW	1101CLDW 1101CDDW 1101WHDW	1101HCL 1101HCD 1101HWH	1101HCLSW 1101HCDSW 1101HWHSW	Clear Lens Fresnel 1101HCLC 1101HCLF 1101HCDC 1101HCDF 1101HWHC 1101HWHF Opal Lens 1101HCLO 1101HCDO 1101HWHO	1101HACB 1101HWHCB
1101FR264MX2 (Advance Mark X- 277V) 26W Quad/ Triple, GX24q-3 120V- 0.11amp max 32W Triple, GX24q-3 120V- 0.14amp max 42W Triple, GX24q-3 120V- 0.18amp max	Universal Series Reflector Trims (Reference Trim Spec Sheet for Recommended Lamping)						
	Performance Cone 1113CFL 1113CDCFL	Cone 1112* 1113* 1113BK* 1113WH 1113CD* 1145 1146 1146CD 1143 1144 1144CD	Satin Cone 1108* 1110*	Baffle 1105* 1105BNM 1105WH 1176 1176WH	Wall Wash 1135 1135WH 1195 1196 1196CD	Wet Location 1121 1124 1134 1177SH 1178SH	

*Add NM suffix to catalog number for Natural Metal flange and finish.

Features

- Uniframe™ Mounting Ring:** .032" (#22ga.) thick Galvanized Steel. Accommodates existing ceilings up to 2" thick. Attaches securely to any type of ceiling material without tools using (3) mounting straps provided. Includes adhesive backed aperture template.
- Trim Clips:** "Push In / Twist Out" clips hold reflector flush to ceiling.
- Junction Box:** 2" x 4" x 3-1/2" (22cu.in.) .032" (#22ga.) galvanized steel. UL Listed for 90° C supply wire. Attaches to mounting ring without tools.
- Ballast:** 120V or 277V UL listed Electronic Dimming Ballast, 100% to 5% full range continuous dimming. End of lamp life protection, class "P" thermally protected, class "A" sound rating.
- Socket:** Four-pin base, molded thermoplastic socket, prewired with No. 18 AWM leads to ballast.
- Socket Housing:** .036" (#20ga.) Galvanized Steel housing attaches to reflector trim by spring clip for precise optic alignment.

631 Airport Road, Fall River, MA 02720 • (508) 679-8131 • Fax (508) 674-4710
 We reserve the right to change details of design, materials and finish.
 www.lightolier.com © 2009 Philips Group • A0409

Labels cULus Listed. Suitable for Damp Locations.

Job Information	Type:
Job Name:	
Cat. No.:	
Lamp(s):	
Notes:	

PHILIPS LIGHTOLIER®