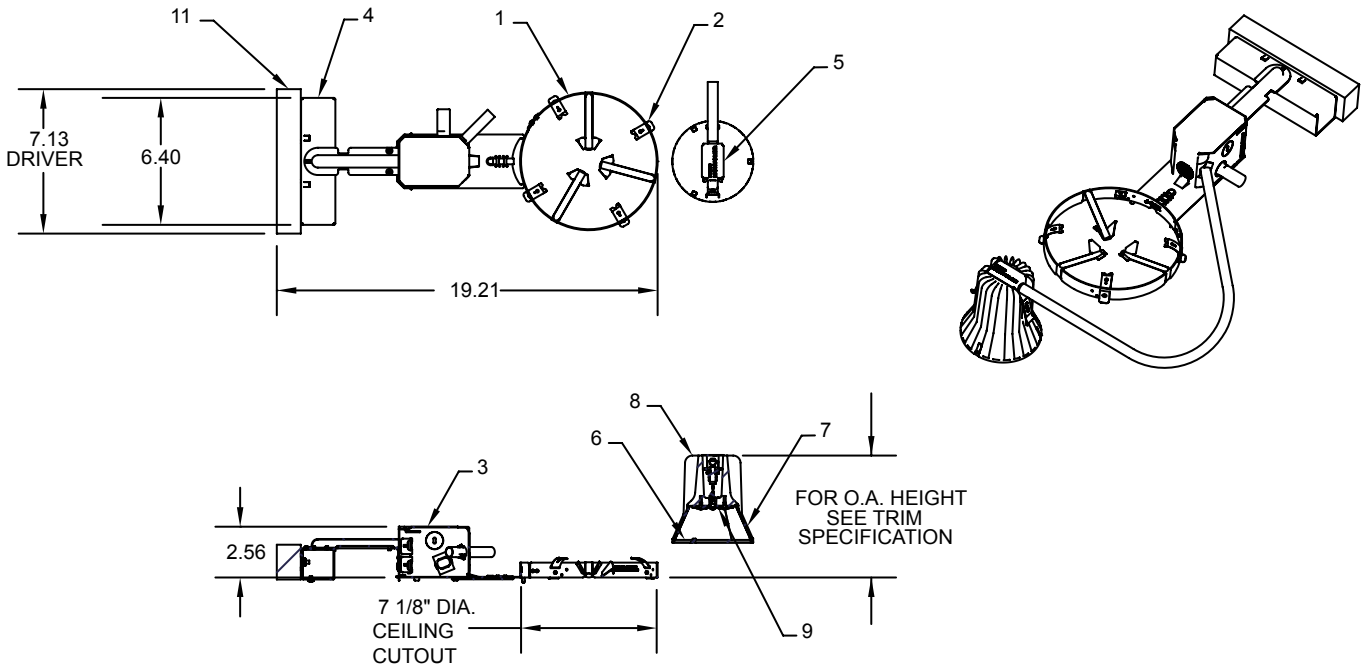


1100LED-DIM-REM

Lytecaster, 6 3/4", LED, Non-IC, Dimming Remodeler



Trim compatibility for the 1100LED09R series frame-in-kits

LED Remodeler sku	Anodized reflector	Cone	Satin cone	Baffle	Crossblade	Enclosed diffusers	Wall washers	Open wet location
1100LED09R27D1	1143	1112	1108	1105	1132	1121	1195	1184WH
1100LED09R35D1	1144	1112NM	1108NM	1105NM		1124	1196	1184CD
	1144CD	1113	1110	1105WH		1126	1196CD	
	1145	1113NM	1110NM	1105BNM		1128		
	1146	1113BK		1176		1134		
	1146CD	1113BKNM		1176WH		1177SH		
		1113CD				1178SH		
		1113CDNM				1190		
		1113WH						

See Page 3 for Energy Star compatible trims

Job Information	Type:
Job Name:	
Cat. No.:	
Notes:	

PHILIPS
LIGHTOLIER

1100LED-DIM-REM

Lytecaster, 6 3/4", LED, Non-IC, Dimming Remodeler

Page 2 of 4

Features

- 1. Uniframe Mounting Ring:** .032 (#22 ga) thick Galvanized Steel. Accommodates existing ceilings up to 2" thick. Attaches securely to any type of ceiling material without tools using (3) mounting straps. Includes adhesive backed aperture template.
- 2. Trim Clips:** "Push In / Twist Out" clips hold reflector flush to ceiling.
- 3. Junction Box:** 2 1/2" x 2 1/2" x 3 1/2" (21cu. in.) .032 (#22 ga) galvanized steel. U.L. listed for 90° C supply wire. Integral cable clamps permit attachment of non-metallic (#12 or #14 ga) Romex™ without tools or additional connectors. Attaches to mtg. ring without tools.
- 4. Wiring enclosure:** Enclosure formed from 22 Ga galvanized steel.
- 5. Top heat sink cover:** Tool free snap on enclosure bracket. 22 Ga. component houses the driver secondary tool free wire connector.
- 6. Lens:** Solite Glass lens has high transmission value with slight texture to provide a smooth consistent beam distribution.
- 7. Optical mixing chamber:** Designed to provide a spacing ratio of .9 (60° beam) when installed in standard Lytecaster trims. Optic design provides less glare than standard PAR lamps.
- 8. Thermal management:** Heat sink was developed using the latest Computational Fluid Dynamic Software. This optimized thermal design provides a 50,000 hour lifetime at 70% lumen maintenance. Cast Aluminum heat sink is coated with RoHS compliant coating (trivalent chromate) to resist corrosion in damp or wet environments.
- 9. LED board:** Utilizes Philips Lumileds LED's.
- 10. Thermal protector:** Meets NEC and UL Requirements. Do not install insulation above or within 3" (76 mm) of any part of the luminaire.
- 11. LED Driver:** Externally mounted; fully enclosed in a metal case; factory wired.

Electrical

Electronic power supply: Class 2 power unit for use in a damp or dry location (Outdoor Type1). Class A sound rated unit tolerates sustained open circuit and short circuit output conditions without damage. Complies with FCC rules per Title 47 CFR Part 15/18 Consumer limits (Class B) for EMI/RFI (conducted and radiated) at full load.

Input voltage	Input frequency	Max input current	Max input power	Max THD	Power factor	Minimum operating temperature	% Minimum dimming
120V	50/60Hz	0.2	25W	< 20%	>.9	-20° C	< 5%

Labels

UL Wet Location Classified
ENERGY STAR® qualified for use with specific finishing trims (see p 3). 5 Year Warranty.
cULus Listed. Suitable for Damp Locations. I.B.E.W.

Accessories

1967A Extra Thick Ceiling Adapter (2" thk)



Job Information	Type:
------------------------	--------------

PHILIPS

LIGHTOLIER

1100LED-DIM-REM

Lytecaster, 6 3/4", LED, Non-IC, Dimming Remodeler

Page 3 of 4

Energy Star compatibility



The following trims meet the necessary requirements to obtain a Commercial Energy Star listing when used with the 1100LED series of frame-in kits

6 3/4" Trims (1100 series) w/1100LED frames

1105	1110NM	1113CD	1144CD	1190
1105NM	1112	1113CDNM	1145	
1105BNM	1112NM	1113WH	1146	
1105WH	1113	1126	1146CD	
1108	1113NM	1132	1176WH	
1108NM	1113BK	1143	1184CD	
1110	1113BKNM	1144	1184WH	

Dimming switch compatibility

See LED-DIM Specification Sheet.

Labels

UL wet location classified

ENERGY STAR® qualified for use with specific finishing trims (see above).

5 Year Warranty.

All testing conducted in accordance with IESNA LM79 and LM80 standards.

Job Information Type:

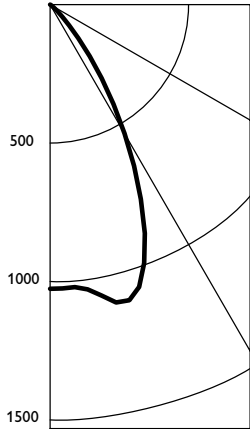
PHILIPS

LIGHTOLIER

1100LED-DIM-REM

Lytecaster, 6 3/4", LED, Non-IC, Dimming Remodeler

Lytecaster LED, 2700K Remodeler



Angle	Mean CP
0	1026
5	1024
10	1067
15	1105
20	993
25	775
30	538
35	325
40	159
45	63
50	22
55	9
60	0
65	0
70	0
75	0
80	0
85	0
90	0

Catalog No: 1100LED09R27D1 / 1113

Report No.:	F10138
Total Fixture Lumens:	1025 lms
Color Temp.:	2700K
Input Watts:	22.7W
Luminaire Efficacy	45 lm/w
Spacing Criterion:	1.00
CRI	82

Ceiling	Coefficients of utilization										
	80%			70%			50%			0%	
Wall	70	50	30	70	50	30	50	30	10	0	
RCR	Zonal Cavity Method - Effective Floor Reflectance = 20%										
Room Cavity Ratio	0	119	119	119	116	116	116	111	111	111	100
1	114	111	108	111	109	107	105	103	101	94	
2	108	103	99	106	102	98	98	95	93	87	
3	103	96	92	101	95	91	92	89	86	81	
4	98	90	85	96	89	84	87	83	79	76	
5	93	85	79	91	84	78	82	77	74	71	
6	88	79	73	87	79	73	77	72	69	66	
7	84	75	69	82	74	68	73	68	64	62	
8	80	70	64	79	70	64	69	64	60	58	
9	76	66	61	75	66	60	65	60	56	55	
10	72	63	57	71	62	57	62	57	53	52	

Zonal lumens and percentages			
Zone	Lumens	%Lamp	%Fixt
0-30	755	N/A	74
0-40	960	N/A	94
0-60	1024	N/A	99
0-90	1025	N/A	100

Single Unit Data		
Height to Lighted Plane	Initial Center Beam Foot-Candles	Beam Diameter*
6'	29	6
7'	21	7
8'	16	8

*Beam diameter is where foot-candles drop to 50% of maximum.

Tested using absolute photometry as specified in LM79: IESNA Approved Method for the Electrical and Photometric Measurements of Solid-State Lighting Products.



Philips Lightolier
 e: lol.webmaster@philips.com
 t: (508) 679-8131
 w: www.lightolier.com

1100LED-DIM-REM September 1, 2011

Specifications are subject to change without notice.
 © Koninklijke Philips Electronics N.V., 2010. All rights reserved.

Job Information Type: