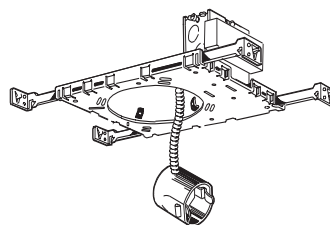
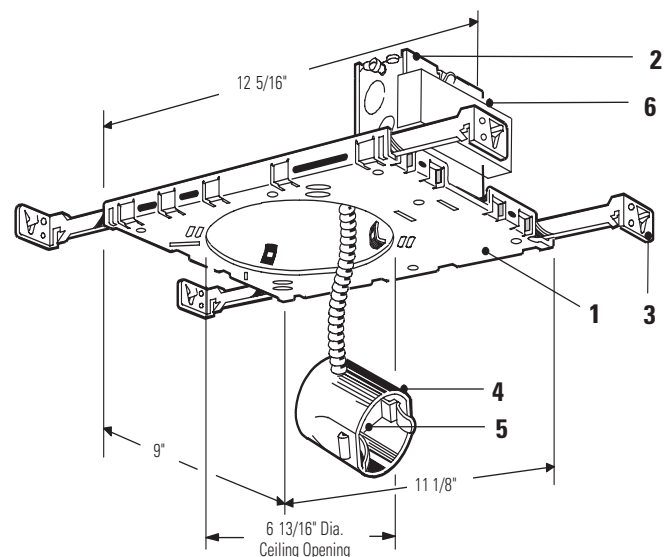


Lytecaster® Recessed Downlighting **1100FTUES**



Frame-In Kit



Reflector Trim

Note: Ballast is 120V only



Complete Fixture consists of Reflector Trim & Frame-In Kit.

Frame-In Kit			Reflector Trims — See Individual Reflector Trim Specification Sheets							
Voltage	Lamp	Open Downlight							Enclosed Diffusers	Wall Washer
		Reflector	Cone	Satin Cone	Baffles	Basic White	Cross Blade			
1100FTUES	120V	26W and 32W triple tube	1143	1112	1108	1105	1171	1132	1121	1135
			1144	1112NM	1108NM	1105WH	1170M1		1124	1135WH
			1144CD	1113	1110	1105BNM			1126	1185
			1145	1113BK	1110NM	1105NM			1128	1186
			1146	1113CD		1176			1134	1186WH
			1146CD	1113WH		1176WH			1177SH	1195
				1113NM		1179M1			1178SH	1196
				1113CDNM		1179WH			1190	1196CD

Features

- Mounting Frame:** 0.036" (#20 ga.) galvanized steel. Accommodates all ceilings up to 1" thick; including existing or inaccessible areas. Breakout section and anchor nails for existing ceilings. Push-in/twist-out rotoclips hold reflector flush to ceiling.
- Junction Box:** 0.063" (#14 ga.) 4" x 3 1/2" x 2" galvanized steel. U.L. listed for maximum of 8 No. 12 ga., 75°C through branch circuit conductors. Integral cable clamps permit attachment of nonmetallic Romex® or Armored cable without the need for separate connectors.
- Mounting Bars:** 0.059" (#16 ga.) galvanized steel. 13" long bars extend to 27", rotatable and lockable, with integral T-bar tabs. Attaches to wood joist or T-bar ceilings without need of accessories.
- Socket Housing:** Steel precisely attached to reflector by spring clip.
- Socket:** Four-pin base, molded thermoplastic. Prewired with No. 18 AWM leads to junction box.
- Ballast:** Electronic 120V, end of lamp life protected, FCC class "B" consumer limits, class "A" sound rating. Energy Star® qualified. Insulation must be kept 3" away from fixture sides and wiring compartment and must not be placed above fixture in a manner which will entrap heat.

Electrical

	26W	32W
Input Volts:	120V	120V
Input Watts:	29	36
Amps:	.24	0.31

Minimum starting temperature is 0°F.

Options & Accessories

- Mounting Bars:** 1964 - 20" set of (2)
T-Bar Anchor Clips: 1956 - set of (4) for use with above bars
Concealed Spline Ceiling Kit: 1965 - set of (4), 1 1/2" to 2 1/2" Mtg. Ht.
Plaster Ceiling Ring: 1960 - 7/8" depth for wet plaster ceilings.
Extra-Thick Ceiling Mounting Ring: 1967A - up to 2" thick ceilings.
Remodeler Anchor Clip: 1985S

Labels

UL (Suitable for Damp Locations), I.B.E.W.
 Romex® is a registered trademark of General Cable Industries Inc.

Job Information	Type:
Job Name:	
Cat. No.:	
Lamp(s):	
Notes:	

Lightolier a Genlyte company www.lightolier.com
 631 Airport Road, Fall River, MA 02720 • (508) 679-8131 • Fax (508) 674-4710
 We reserve the right to change details of design, materials and finish.
 © 2011 Genlyte Group LLC • D0711