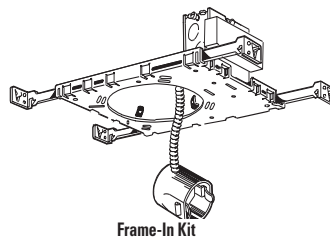
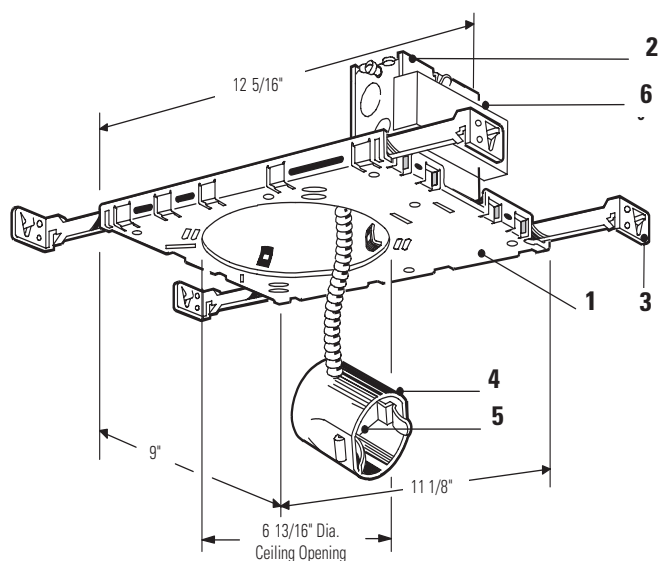


Lytecaster® Recessed Downlighting **1100FTU**



Frame-In Kit



Reflector Trim

Complete Fixture consists of Reflector Trim & Frame-In Kit.

Frame-In Kit	Voltage	Lamp	Reflector Trims — See Individual Reflector Trim Specification Sheets							
			Open Downlight						Enclosed Diffusers	Wall Washer
			Reflector	Cone	Satin Cone	Baffles	Basic White	Cross Blade		
1100FTU	120V thru 277V	26W and 32W Triple Tube GX24Q-3 Base	1143 1144 1144CD 1145 1146 1146CD	1112† 1113† 1113BK† 1113CD† 1113WH	1108† 1110†	1105† 1105WH 1105BNM 1175 1176 1176WH 1179M1 1179WH	1170M1 1171	1132*	1121 1124 1126* 1128* 1134 1177SH 1178SH	1185 1186 1186WH 1135* 1135WH 1195 1196 1196CD

† add NM to catalog number for Natural Metal flange finish

*32W Osram/Sylvania or Philips lamp only

Features

- Mounting Frame:** 0.036" (#20 ga.) galvanized steel. Accommodates all ceilings up to 1" thick; including existing or inaccessible areas. Breakout section and anchor nails for existing ceilings. Push-in/twist-out rotoclips hold reflector flush to ceiling.
- Junction Box:** 0.063" (#14 ga.) 4" x 3 1/2" x 2" galvanized steel. U.L. listed for maximum of 8 No. 12 ga., 75°C through branch circuit conductors. Integral cable clamps permit attachment of nonmetallic Romex® or Armored cable without the need for separate connectors.
- Mounting Bars:** 0.059" (#16 ga.) galvanized steel. 13" long bars extend to 27", rotatable and lockable, with integral T-bar tabs. Attaches to wood joist or T-bar ceilings without need of accessories.
- Socket Housing:** Steel precisely attached to reflector by spring clip.
- Socket:** Four-pin base, molded thermoplastic. Prewired with No. 18 AWM leads to junction box.
- Ballast:** Electronic, encased and potted, class "P". 120V-277V; high power factor or normal power factor. Insulation must be kept 3" away from fixture sides and wiring compartment and must not be placed above fixture in a manner which will entrap heat.

Electrical

	26W HPF	32W HPF
Input Volts:	120V / 277V	120V / 277V
Input Watts:	32	35
Amps:	0.27 / 0.13	0.31 / 0.15

Minimum starting temperature is 0°F.

Options & Accessories

- Mounting Bars:** 1964 - 20" set of (2)
T-Bar Anchor Clips: 1956 - set of (4) for use with above bars
Plaster Ceiling Ring: 1960 - 7/8" depth for wet plaster ceilings.
Extra-Thick Ceiling Mounting Ring: 1967A - up to 2" thick ceilings.
Remodeler Anchor Clip: 1985S

Labels

UL (Suitable for Damp Locations), I.B.E.W.

Romex® is a registered trademark of General Cable Industries Inc.

Job Information	Type:
Job Name:	
Cat. No.:	
Lamp(s):	
Notes:	

Lightolier a Genlyte company www.lightolier.com
 631 Airport Road, Fall River, MA 02720 • (508) 679-8131 • Fax (508) 674-4710
 We reserve the right to change details of design, materials and finish.
 © 2011 Genlyte Group LLC • F0711