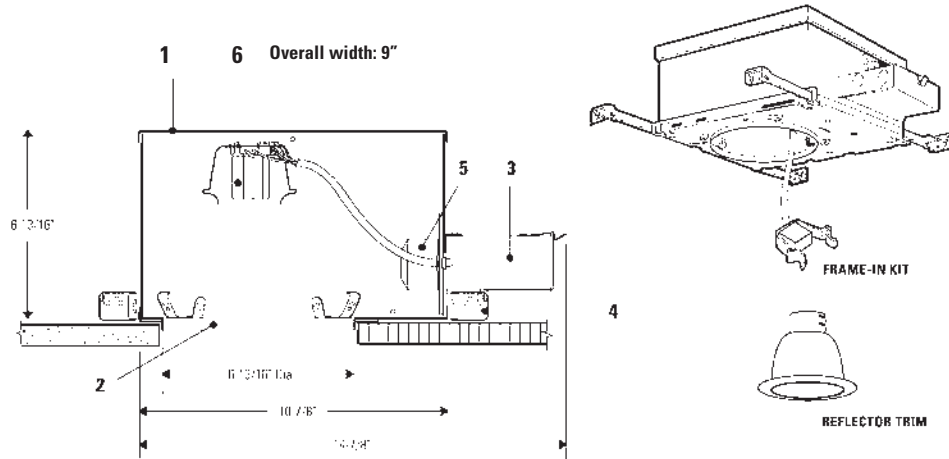


# Lytecaster<sup>®</sup> Recessed Downlighting **1100AICMFT**

Page 1 of 1 6 3/4" Aperture Fluorescent 1 Lt. 26/32W Triple Tube Insulated Ceiling, AirSeal<sup>®</sup> Frame-In Kit



Complete Fixture consists of Reflector Trim & Frame-In Kit. Select each separately.

## Frame-In Kit

## Reflector Trims — See Individual Reflector Trim Specification Sheets

1100AICMFT	Open Downlight				Enclosed Diffusers	Wall Washer	Wattage & Lamp Type
	Reflector	Satin Cone	Baffles	Basic White			
	Cone: 1112 1112NM 1113 1113CD 1113NM 1113BKNM 1113CDNM	1108 1108NM 1110 1110NM	1105 1105NM 1105BNM 1176 1176WH	Cone: 1113WH			26W - 32W PL-T by Philips DULUX by Osram Sylvania Triple BIAx by GE
	Reflector: 1143 1144 1144CD			Reflector: 1170M1 1171	1121 1124 1134 1177SH 1178SH	1185 1186 1186WH	26W PL-T by Philips DULUX by Osram Sylvania Triple BIAx by GE
					1126 1128		26W PL-T by Philips

## Features

- Housing:** .026" galvanized steel. UL listed for direct contact with thermal insulation. AirSeal<sup>®</sup> housing minimizes air leakage to less than 2 CFM at 1.57 PSF, which complies with Model Energy Code (Section 602.3.3) and the Washington State Energy Code (Section 502.4) and reduces heat loss and condensation in ceiling. Access door for inspection of junction box.
- Mounting Frame:** .036 (#20 ga.) galvanized steel. Accommodates all ceilings up to 1" thick. 3/8" deep integral lip. Four slots are positioned 90° apart to simplify alignment. Push-in/twist-out rotoclips hold reflector flush to ceiling.
- Junction Box:** 2" X 4" X 4": .063" (#14 ga.) galvanized steel. UL listed for maximum of 6 No. 12 ga., 90° C through branch circuit conductors. Quick release "L" shaped cover for outside access to wiring. Access door inside of housing allows easy inspection of wiring without removal of housing. Integral cable clamps permit attachment of nonmetallic Romex<sup>®</sup> or armored without the need for additional connectors.
- Mounting Bars:** .059" (#16 ga.) galvanized steel. Bars pivot for easy attachment and wire-in below ceiling line. Bars extend to accommodate 16" to 24" O. C. joist spacing and feature integral nail for secure attachment to wood construction. Attaches to T-bar ceilings without the need of accessories.
- Ballast:** Electronic, encased and potted, thermally protected, Class "P", Normal Power Factor, 120V.
- Socket:** 4-pin Gx24q-3 base compact fluorescent. Pre-wired with #18 ga. TFN leads to junction box.

## Options & Accessories

**Mounting Bars:** 1976 - 13" set of (4).

**Concealed Spline Ceiling Kit:** 1965 - set of (4), 1 1/2" to 2" Mtg. Ht.  
**Extra-Thick Ceiling Mounting Ring:** 1967A - up to 2" thick ceiling.

## Labels

UL Type I.C. (Suitable for Damp Locations);

Complies with Air Leakage Requirements as stated in the Model Energy Code and the Washington State Energy Code.

AirSeal<sup>®</sup> is a registered trademark of Lightolier.

Romex<sup>®</sup> is a registered trademark of General Cable Industries Inc.

## Job Information

## Type:

**Job Name:**

**Cat. No.:**

**Lamp(s):**

**Notes:**

Lightolier a Genlyte company

www.lightolier.com

631 Airport Road, Fall River, MA 02720 • (508) 679-8131 • Fax (508) 674-4710

We reserve the right to change details of design, materials and finish.

© 2011 Genlyte Group LLC • C0711

**LIGHTOLIER<sup>®</sup>**