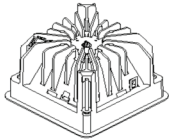


1050LSQSLW

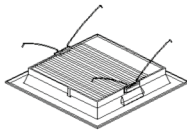
Lytecaster, 5" Sq., Lensed Slope/Wall Washer LED, Light Engine/Trim

Page 1 of 3

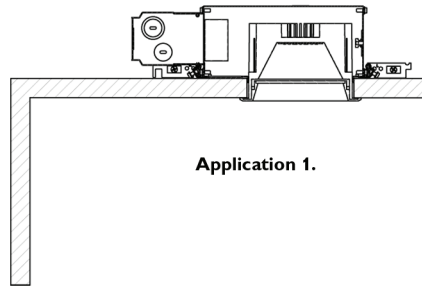
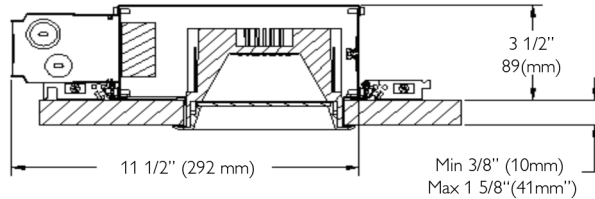
XCEED



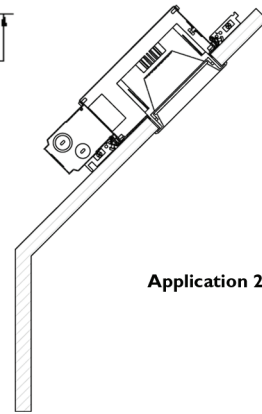
Light Engine



Trim



Application 1.



Application 2.

Complete fixture consists of Lensed Slope/ Wall Washer trim, LED Light Engine and Frame-in Kit.

Select each separately.

Lensed Square Slope/Wall Washer Trims		LED Light engines	
Catalog no.	Description	Catalog no.	Description
1050LSQSLWWB	Lensed Slope/Wall Washer - White Baffle, White Flange	1050LSQ0927	900 Lumens / 2700K
1050LSQSLWCDW	Lensed Slope/Wall Washer - Clear Diffuse, White Flange	1050LSQ0935	1000 Lumens / 3500K
1050LSQSLWCDP	Lensed Slope/Wall Washer - Clear Diffuse, Clear Diffuse Flange	1050LSQ0627	600 Lumens / 2700K
1050LSQSLWWC	Lensed Slope/Wall Washer - White Cone, White Flange	1050LSQ0635	750 Lumens / 3500K
Xceed Frame-in-kits			
Catalog no.			
1050LSQ09D1**			
1050LSQ06D1**			

* See individual Frame-In Kit Specification Sheet

**All frames come standard with preset mounting screws. Simply add "N" to the end of the model number for preset nails

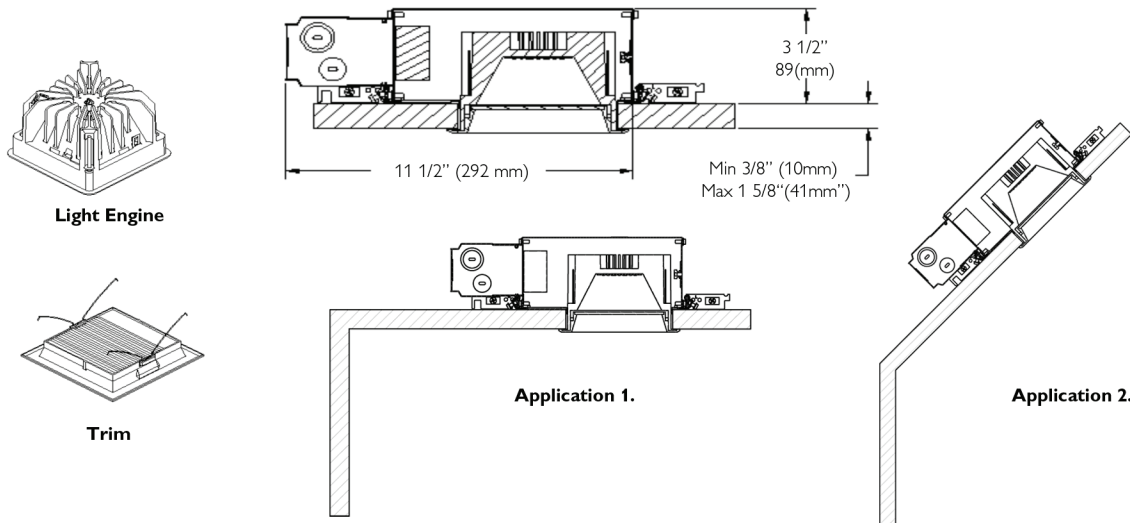
Job Information	Type:
Job Name:	
Cat. No.:	
Notes:	

PHILIPS
LIGHTOLIER

1050LSQSLW

Lytecaster, 5" Sq., Lensed Slope/Wall Washer LED, Light Engine/Trim

Page 2 of 3



Trim Features

- 1. Lower Baffle / Cone:** Lower Baffle / Cone: Injection molded non-yellowing Polycarbonate plastic trim. Matte white finish. CD and WD finishes are a painted metallic coated finish.
- 2. Lens:** 1/8" (6mm) thick high transmission soda lime glass. Solite texture to reduce visibility to the LEDs.
- 3. Finishes:** WB = White Baffle / White Flange, CDW = Clear Diffuse Cone / White Flange CDP = Clear Diffuse Cone/ Clear Diffuse Flange, WC = White Cone/White Flange
- 4. Tortiontite Springs:** Permit easy and fast installation of trim and assure snug fit on ceiling.
- 5. Slope Ceiling Installation:** Works with 14°-45°(3/12-12/12) slope.

Light Engine Features

- 1. LED Board:** Utilizes Philips Lumileds LED's
- 2. Optical Mixing Chamber:** Designed to provide optimal illumination with high reflectivity aluminum reflector
- 3. Securing Screws:** Springs on Frame In Kit allow fast positioning of Light Engine into ceiling opening, and captive screws secure the Light Engine snug to the ceiling.

Light Engine Features (continued)

- 4. Thermal Management:** Proprietary heat sink was developed using the latest in Computational Fluid Dynamic Software. This optimized thermal design provides a 50,000 hour lifetime at 70% lumen maintenance. Cast aluminum heat sink is painted in black to maximize heat transfer.
- 5. Performance Data:** See attached photometric reports for distribution and efficiency data.

Markings

cULus Listed Type I.C., Trims are suitable for wet location. Complies with Air Leakage.

Warranty

5 years, all testing conducted in accordance with IESNA LM79 and LM80 standards.

Job Information	Type:
------------------------	--------------

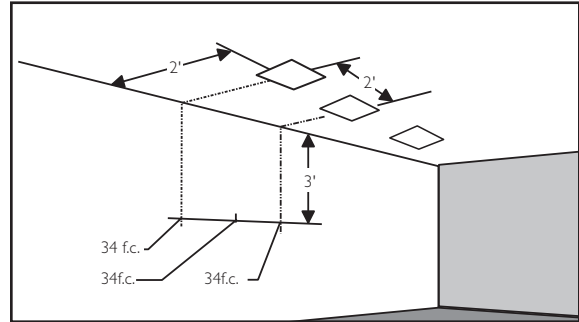
PHILIPS
LIGHTOLIER

1050LSQSLW

Lytecaster, 5" Sq., Lensed Slope/Wall Washer LED, Light Engine/Trim

Lighting Data - Example

illumination on the wall 3' down from the ceiling is 34 f.c. beneath and 34 f.c. between fixtures.



1050LSQSLWWB

Reflector Trim: 1050LSQSLWWB
 Light Engine: 1050LSQ0935
 Housing: 1050LSQ09D1
Efficiency: 55.2%

Tested using absolute photometry as specified in LM79: IESNA approved method for the electrical and photometric measurements of solid state lighting products.

Multiple Units - Footcandles On Wall

2' from Wall - 2' On Center

Distance From Ceiling in Feet	□ <--- 2' ---> □			
	17	16	17	22
29	29	29	33	
34	34	34	26	
30	29	30	18	
23	23	23	13	
18	18	18	9	
15	15	15	7	
12	12	12	5	
10	10	10	4	
9	9	9	3	

Multiple Units - Footcandles On Wall

3' from Wall - 3' On Center

Distance From Ceiling in Feet	□ <--- 3' ---> □			
	1	6	6	6
2	10	10	10	
3	13	14	13	
4	16	16	16	
5	16	16	16	
6	14	14	14	
7	12	12	12	
8	10	10	10	
9	9	9	9	
10	8	8	8	

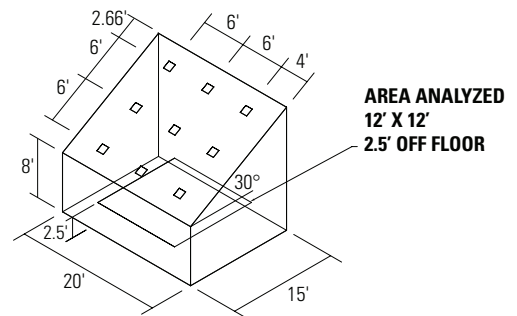
SLOPE APPLICATION

Footcandles 2.5 feet above the floor: fixtures on 6' x 6' centers in 15' x 20' room with 30 degree sloped ceiling.

Room reflectance's: 80% ceiling, 50% walls, 20% floor

Reflector Trim: 1050LSQSLWWB
 Light Engine: 1050LSQ0935
 Housing: 1050LSQ09D1

15	22	22	20	21
16	22	25	23	24
16	24	25	23	25
16	22	25	23	24
15	22	22	20	21



AREA ANALYZED
 12' X 12'
 2.5' OFF FLOOR

Footcandle values are initial, shaded areas represent footcandle values directly below fixtures (6 feet on center).



Philips Lightolier
 e: lol.webmaster@philips.com
 t: (508) 679-8131
 w: www.lightolier.com

1050LSQSLW August 22, 2011

Specifications are subject to change without notice.
 © Koninklijke Philips Electronics N.V., 2011. All rights reserved.

Job Information Type: