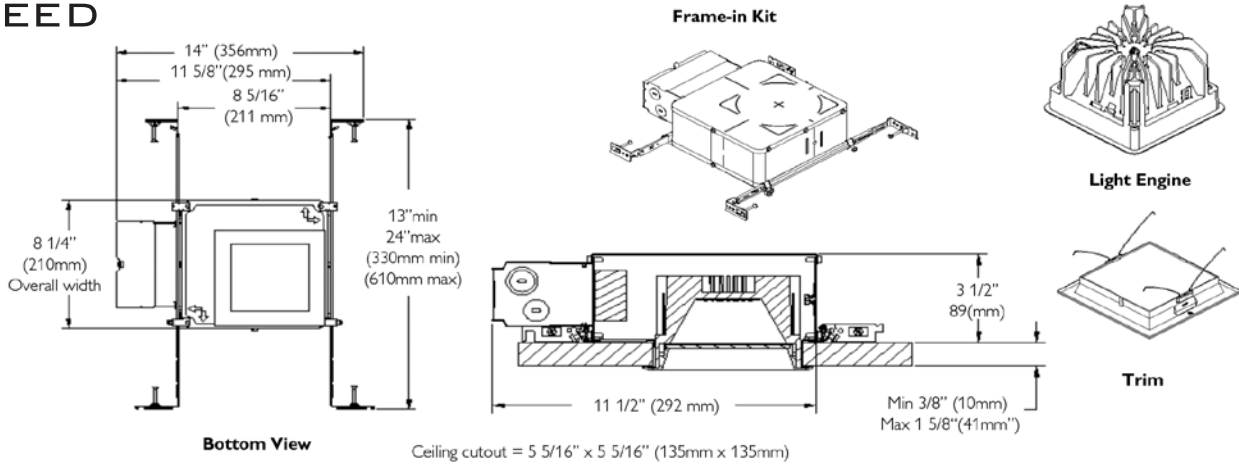


1050LSQ

Lytecaster, 5" square, LED, low-profile IC AirSeal[®] dimming

Page 1 of 2

XCEED



Complete fixture consists of frame-in kit, LED Light engine and lensed downlight or slope wall washer trim. Select each separately.

Xceed frame-in kit	LED Light engine	Trim
1050LSQ09D1*	1050LSQ0927	1050LSQDLWB (Lensed downlight - white baffle, white flange)
	1050LSQ0935	1050LSQDLCDW (Lensed downlight - clear diffuse, white flange)
		1050LSQDLCDP (Lensed downlight - clear diffuse, clear diffuse flange)
		1050LSQDLWC (Lensed downlight - white cone, white flange)
		1050LSQSLWWB (Lensed slope/wall washer - white baffle, white flange)
1050LSQ06D1*	1050LSQ0627	1050LSQSLWCDW (Lensed slope/wall washer - clear diffuse, white flange)
	1050LSQ0635	1050LSQSLWCDP (Lensed slope/wall washer - clear diffuse, clear diffuse flange)
		1050LSQSLWWC (Lensed slope/wall washer - white cone, white flange)
See individual trim kit specification sheet		

*All frames come standard with preset mounting screws. Simply add "N" to the end of the model number for preset nails.

Job Information	Type:
Job Name:	
Cat. No.:	
Notes:	

PHILIPS
LIGHTOLIER

1050LSQ

Lytecaster, 5" square, LED, low-profile IC AirSeal[®] dimming

Page 2 of 2

Features

- Housing:** .026" 23ga galvanized steel. cULus listed for direct contact with thermal insulation. AirSeal[®] housing minimizes air leakage to less than 2 CFM at 1.57PSF (or 75PA), which complies with Title 24, the International Energy Conservation Code, and Washington State Energy Code (Section 502.4). This reduces heat loss and condensation in ceiling. Access door for inspection of junction box.
- Lower frame and top cover:** .026" 23ga galvanized steel. Accommodates ceilings up to 1 5/8" (41mm) thick. 3/8" (9.5mm) deep integral lip with four notches at 90 degrees apart to simplify alignment. Locks into position along length of mounting bars with locking screws. Indicator lines on housing top and sides to simplify alignment.
- Retaining clips:** Permit easy and fast installation of light engine junction box: 2-1/2" (64mm) x 5-3/8" (137mm) x 2" (51mm) .032" 21ga. Galvanized steel. cULus listed 90° C supply conductors. Rated for branch circuit wiring supplying connected luminaires (daisy chaining).
- Mounting bars:** .059" 16 ga. galvanized steel. Bars pivot for easy attachment and wire-in below ceiling line. Bars extend to accommodate 16" (406mm) to 24" (610mm) O.C. joist spacing. Bars can accommodate 12" (305mm) O.C. joist spacing after a slight field modification. (See Instruction sheet.) Features factory installed integral nails. Attaches to T-bar ceilings without the need of accessories. Bars installed on shortest dimension of frame, but can be easily repositioned 90 degrees from original position.
- Electronic dimmer driver:** 120V 50/60Hz.; overload and short circuit protected; thermal regulation to protect against overheating; sound rating "A"; -20°C (-4°F) minimum starting temperature. Complies with FCC rules per title 47 CFR part 15 (Class B) for EMI/RFI (conducted and radiated) at full load. Dimmable with standard electronic low voltage circuit protected; thermal regulation to protect against overheating; sound rating "A"; -20°C (-4°F) minimum starting temperature. Complies with FCC rules per title 47 CFR part 15 (Class B) for EMI/RFI (conducted and radiated) at full load. Dimmable with standard electronic low voltage dimmer. (See recommended dimmers.)

Input Voltage	Input Frequency	Input Current	Input Power + 5%	Power Factor
1050LSQ09 Series				
120V	50/60Hz	0.17	20W	> .9
1050LSQ06 Series				
120V	50/60Hz	0.15	16W	> .9

Options

Dimming capability: Electronic low voltage. See LED-DIM specification sheet.
Emergency capability (inverter): See LED-LMI specification sheet.

Markings

cULus Listed Type I.C., frames are suitable for damp location. Trims are suitable for wet location. Complies with Air Leakage.

Warranty

5 years, all testing conducted in accordance with IESNA LM79 and LM80 standards.

Title 24: 900 Lumen only
Energy Star: 900 Lumen only
(downlight trims only; not wall wash).



Philips Lightolier
e: lol.webmaster@philips.com
t: (508) 679-8131
w: www.lightolier.com

1050LSQ April 9, 2012

Specifications are subject to change without notice.
© Koninklijke Philips Electronics N.V., 2012. All rights reserved.

Job Information	Type:
------------------------	--------------