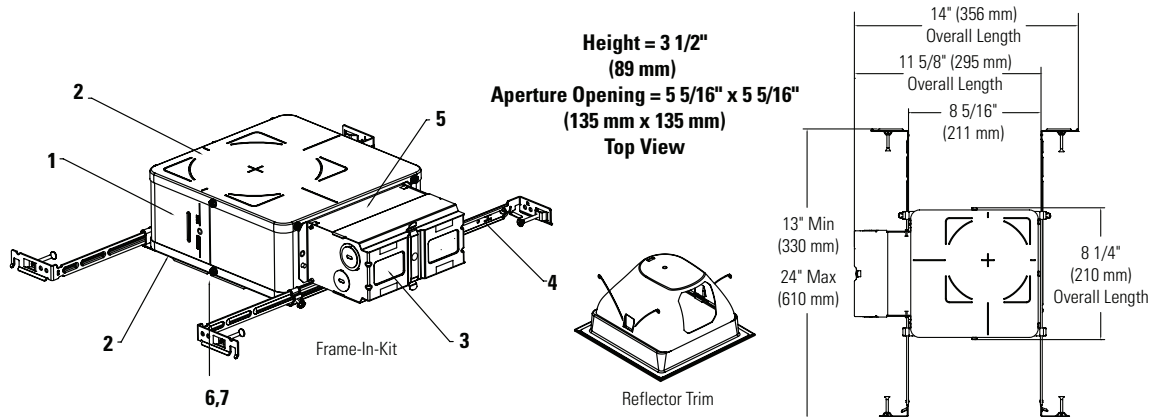



1050DSQ

Lytecaster, 5", CFL, IC, Square, 1 Lt., FIK



Complete fixture consists of frame-in kit and reflector trim. Select each separately.

Xceed frame-in kit	Xceed compact fluorescent lensed round reflector Trims				
Frame-in kit sku	Lensed Downlight		Lensed slope/wall wash		Lensed indirect
1050DSQ26ES* (Energy Star® - 120v) 26w Triple GX24q-3 Base 120v - 0.23 amp max	1050SQDLWB	1050SQDLFGWB	1050SQSLWWB	1050SQSLWFGWB	1050SQINFBW 
	1050SQDLCDW	1050SQDLFGCDW	1050SQSLWCDW	1050SQSLWFGCDW	
	1050SQDLCDP	1050SQDLFGCDP	1050SQSLWCDP	1050SQSLWFGCDP	
	1050SQDLWDW	1050SQDLFGWDW	1050SQSLWWDW	1050SQSLWFGWDW	
	1050SQDLWDP	1050SQDLFGWDP	1050SQSLWWDW	1050SQSLWFGWDP	
	1050SQDLWC	1050SQDLFGWC	1050SQSLWWC	1050SQSLWFGWC	

* All frames come standard with preset mounting screws and a 2700k lamp. Models are available with preset nails and/or a 3500k lamp. Simply add an n and/or 35 to the end of the model number for those options.

Job Information	Type:
Job Name:	
Cat. No.:	
Notes:	

PHILIPS
LIGHTOLIER

1050DSQ

Lytecaster, 5", CFL, IC, Square, 1 Lt., FIK

Page 2 of 2

Features

1. Housing: .026" (#23ga.) galvanized steel. UL listed for direct contact with thermal insulation. AirSeal® housing minimizes air leakage to less than 2 CFM at 1.57PSF (or 75Pa), which complies with Title 24, the International Energy Conservation Code, and Washington State Energy Code (Section 502.4). This reduces heat loss and condensation in ceiling. Access door for inspection of junction box.

2. Lower frame and top cover: .026" (#23 ga.) galvanized steel. Accommodates ceilings up to 1 1/2" thick. 3/8" deep integral lip with four notches at 90 degrees apart to simplify alignment. Locks into position along length of mounting bars with locking screws. Indicator lines on housing top and sides to simplify alignment.

3. Junction box: 2.5" X 5 3/8" X 2" (27 cu. in) .032" (#21 ga.) galvanized steel. UL listed 90°C supply conductors. Rated for branch circuit wiring supplying connected luminaires (daisy chaining).

4. Mounting bars: .059" (#16 ga.) galvanized steel. Bars pivot for easy attachment and wire-in below ceiling line. Bars extend to accommodate 16" to 24" O.C. joist spacing. Bars can accommodate 12" O.C. Joist spacing after a slight field modification (see Instruction Sheet). Features integral self tapping phillips/square drive SCREWS for secure attachment to wood or metal construction. Also available with integral NAILS. Attaches to T-bar ceilings without the need of accessories. Bars installed on shortest dimension of frame, but can be easily repositioned 90 degrees from original position.

5. Ballast: Mounted inside Junction Box. 120V NPF Energy Star® approved Electronic Ballast. Instant start with end of lamp life protection, class "P" thermal protection with a class "A" sound rating. Ballast easily accessible for inspection. Min. starting temperature is 50°F (10°C).

6. Socket: NEW TWIST & LOCK Four-pin base, molded thermoplastic socket, prewired with No. 18AWM leads to ballast.

Features (continued)

6. Socket: NEW TWIST & LOCK Four-pin base, molded thermoplastic socket, prewired with No. 18 AWM leads to ballast.

7. Socket bracket: .048" (#18ga.) Galvanized Steel. Designed to be easily adjusted to accommodate 3/8" to 1 1/2" ceiling thickness. Three positions available for any installation orientation of Wall Washers Slope ceiling, or Wall mount application. Ensures Unitized optics. Reflector trim is secured to upper portion of socket bracket to ensure a tight to ceiling installation.

Recommended dimmers (neutral required)

ITSEBAU: IntelliSight Occupancy Dimmer for AmbiStar Ballasts

OS600EBA: Onset Wall Box Dimmer 600VA for AmbiStar Ballasts

MSP600EBA: MultiSet Pro Dimmer 600VA for AmbiStar Ballasts

Please add the following letters to part number for color option

W = White = Ivory A = Light Almond

Recommended lighting

Lightolier recommends the following Philips lamps

943272: PLT 26W – 2700K = PHILIPS #38440-4

943273: PLT 26W – 3500K = PHILIPS #26824-3

Labels

cULus Listed (Type I.C., Suitable for Damp Location), Complies with Air Leakage Requirements stated in the **Title 24**, the International Energy Conservation code and Washington State Energy Code. **AirSeal®** is a registered trademark of Lightolier.



Philips Lightolier
e: lol.webmaster@philips.com
t: (508) 679-8131
w: www.lightolier.com

1050DSQ October 19, 2010

Specifications are subject to change without notice.
© Koninklijke Philips Electronics N.V., 2010. All rights reserved.

Job Information	Type:
------------------------	--------------