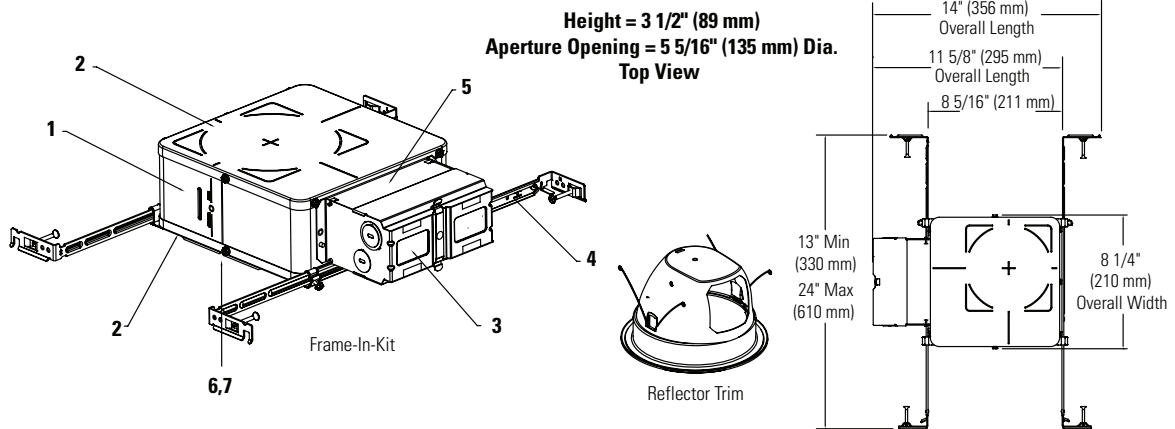


# 1050DRN

Lytecaster, 5", CFL, Round, IC, 1 Lt., FIK



Complete fixture consists of frame-in kit and reflector trim. Select each separately.

Xceed frame-in kit	Xceed compact fluorescent lensed round reflector Trims			
	Lensed Downlight		Lensed slope/wall wash	
<b>1050DRN26ES*</b> (Energy Star® - 120v) 26w Triple GX24q-3 Base 120v - 0.23 amp max	<b>1050RNDLWB</b> <b>1050RNDLCDW</b> <b>1050RNDLCDP</b> <b>1050RNDLWDW</b> <b>1050RNDLWDP</b> <b>1050RNDLWC</b>	<b>1050RNDLFGWB</b> <b>1050RNDLFGCDW</b> <b>1050RNDLFGCDP</b> <b>1050RNDLFGWDW</b> <b>1050RNDLFGWDP</b> <b>1050RNDLFGWC</b>	<b>1050RNSLWWB</b> <b>1050RNSLWCDW</b> <b>1050RNSLWCDP</b> <b>1050RNSLWWDW</b> <b>1050RNSLWWDP</b> <b>1050RNSLWWC</b>	<b>1050RNSLWFGWB</b> <b>1050RNSLWFGCDW</b> <b>1050RNSLWFGCDP</b> <b>1050RNSLWFGWDW</b> <b>1050RNSLWFGWDP</b> <b>1050RNSLWFGWC</b>



\* All frames come standard with preset mounting screws and a 2700k lamp. Models are available with preset nails and/or a 3500k lamp. Simply add an n and/or 35 to the end of the model number for those options.

<b>Job Information</b>	<b>Type:</b>
Job Name:	
Cat. No.:	
Notes:	

**PHILIPS**  
**LIGHTOLIER**

# 1050DRN

## Lytecaster, 5", CFL, Round, IC, I Lt., FIK

Page 2 of 2

### Features

**1. Housing:** .026" (#23ga.) galvanized steel. UL listed for direct contact with thermal insulation. AirSeal® housing minimizes air leakage to less than 2 CFM at 1.57 PSF (or 75Pa), which complies with Title 24, the International Energy Conservation Code, and Washington State Energy Code (Section 502.4). This reduces heat loss and condensation in ceiling. Access door for inspection of junction box.

**2. Lower frame and top cover:** .026" (#23 ga.) galvanized steel. Accommodates ceilings up to 1 1/2" thick. 3/8" deep integral lip with four notches at 90 degrees apart to simplify alignment. Locks into position along length of mounting bars with locking screws. Indicator lines on housing top and sides to simplify alignment.

**3. Junction box:** 2.5" X 5 3/8" X 2" (27 cu. in) .032" (#21 ga.) galvanized steel. UL listed 90°C supply conductors. Rated for branch circuit wiring supplying connected luminaires (daisy chaining).

**4. Mounting bars:** .059" (#16 ga.) galvanized steel. Bars pivot for easy attachment and wire-in below ceiling line. Bars extend to accommodate 16" to 24" O.C. joist spacing. Bars can accommodate 12" O.C. Joist spacing after a slight fieldmodification (see Instruction Sheet). Features integral self tapping phillips/square drive SCREWS for secure attachment to wood or metal construction. Also available with integral NAILS. Attaches to T-bar ceilings without the need of accessories. Bars installed on shortest dimension of frame, but can be easily repositioned 90 degrees from original position.

**5. Ballast:** Mounted inside Junction Box. 120V NPF Energy Star® approved Electronic Ballast. Instant start with end of lamp life protection, class "P" thermal protection with a class "A" sound rating. Ballast easily accessible for inspection. Min. starting temperature is 50°F (10°C).

### Features (continued)

**6. Socket:** NEW TWIST & LOCK Four-pin base, molded thermoplastic socket, prewired with No. 18 AWM leads to ballast.

**7. Socket bracket:** .048" (#18ga.) Galvanized Steel. Designed to be easily adjusted to accommodate 3/8" to 1 1/2" ceiling thickness. Three positions available for any installation orientation of Wall Washers Slope ceiling, or Wall mount application. Ensures Unitized optics. Reflector trim is secured to upper portion of socket bracket to ensure a tight to ceiling installation.

### Recommended dimmers (neutral required)

**ITSEBAU:** IntelliSight Occupancy Dimmer for AmbiStar Ballasts

**OS600EBA:** Onset Wall Box Dimmer 600VA for AmbiStar Ballasts

**MSP600EBA:** MultiSet Pro Dimmer 600VA for AmbiStar Ballasts

**Please add the following letters to part number for color option:**

W = White    = Ivory    A = Light Almond

### Recommended lamping

Lightolier recommends the following Philips lamps:

943272: PLT 26W – 2700K = PHILIPS #38440-4

943273: PLT 26W – 3500K = PHILIPS #26824-3

### Labels

cULus Listed (Type I.C., Suitable for Damp Location), Complies with Air Leakage Requirements stated in the **Title 24**, the International Energy Conservation code and Washington State Energy Code. AirSeal® is a registered trademark of Lightolier.



Philips Lightolier  
e: lol.webmaster@philips.com  
t: (508) 679-8131  
w: www.lightolier.com

1050DRN October 19, 2010

Specifications are subject to change without notice.  
© Koninklijke Philips Electronics N.V., 2010. All rights reserved.

<b>Job Information</b>	<b>Type:</b>
------------------------	--------------