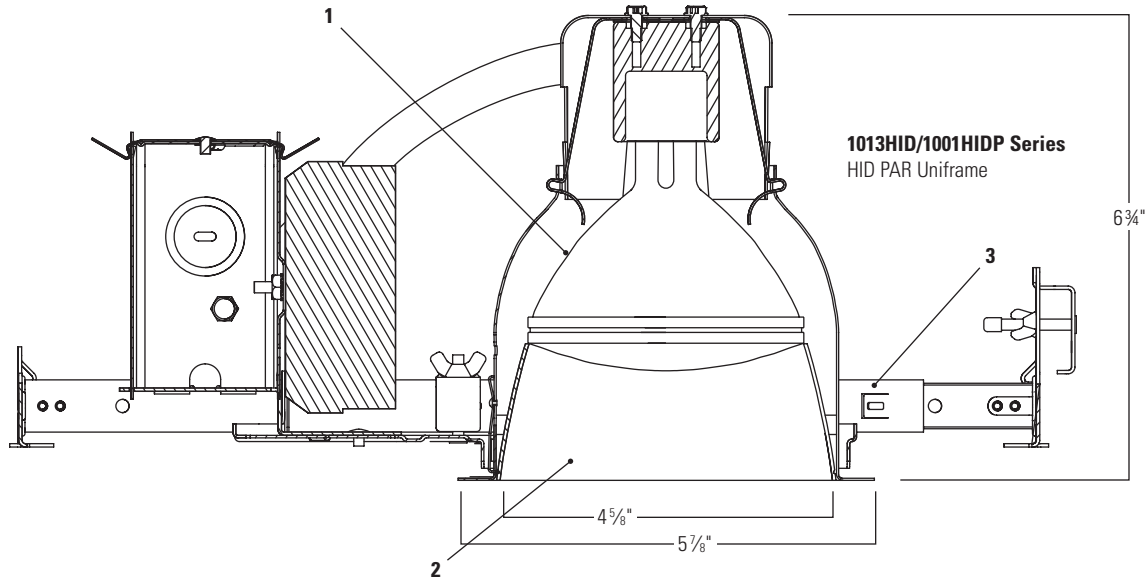


Lytecaster Recessed Downlighting **1013HID**



Complete fixture consists of Reflector Trim and Frame-In Kit. Select separately.

Reflector Trim	Frame-In Kit: See Individual Frame-In Kit Specification Sheet			
Trim	Frames	Lamping	Ceiling Type	Height
1013HID - Specular Clear	1001HIDP20U	20W PAR20/30L Ceramic MH 22W PAR20/30L Ceramic MH	Non-IC	6 3/4"
	1001HIDP39U	39W PAR20/30L Ceramic MH		
	1001HIDP70U	70W PAR30L Ceramic MH		
1013CDHID - Clear Diffuse	1001HIDP20ULC	20W PAR20/30L Ceramic MH 22W PAR20/30L Ceramic MH	Non-IC Chicago Plenum	
	1001HIDP39ULC	39W PAR20/30L Ceramic MH		
	1001HIDP70ULC	70W PAR30L Ceramic MH		

Features

- Reflector:** Hydroformed aluminum, .040" thick, (18 ga.); Anobrite™ (anodic-processed) semi-specular finish for permanent reflectivity; matte white trim flange.
- Cone:** Aluminum cone painted or anodized finish.
- Frame-In Kit:** 1001HIDP Series frame shown. See Frame-In Kit specification sheets for more details.

Options & Accessories

- Retaining Clips:** 1955 - For Installing in Existing Ceiling
Extra Wide Flange Trim Ring: 1957 - 7" O.D.

Labels

cULus (Suitable for Damp Locations), I.B.E.W.

Job Information

Type:

Job Name:

Cat. No.:

Lamp(s):

Notes:

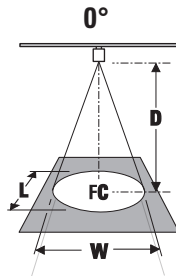


AIMING ANGLE:

L Beam Length **D** Distance
W Beam Width **FC** Footcandles

L and **W** are the outer points where the candle power drops to 50% of the maximum. **FC** are the initial footcandles at the center of the beam.

Lamp data shown is typical. Consult lamp manufacturers for availability and performance.



LAMP:

	Beam Spread (To 50% CBCP)	CBCP	Rated Life (Hrs.)	D	FC	L	W
 20W GE CMH20PAR20/SP	8°	13,000	7,500	8'	203	1.1'	1.1'
				10'	130	1.4'	1.4'
				12'	90	1.7'	1.7'
				14'	66	2.0'	2.0'
 20W GE CMH20PAR20/FL	25°	3,750	7,500	6'	104	2.7'	2.7'
				8'	59	3.5'	3.5'
				10'	38	4.4'	4.4'
				12'	26	5.3'	5.3'
 39W PAR20 (MC/MH) SP	10°	28,000	9,000	10'	280	1.7'	1.7'
				15'	124	2.6'	2.6'
				20'	70	3.5'	3.5'
				25'	45	4.4'	4.4'
				30'	30	5.3'	5.3'
 39W PAR20 (MC/MH) FL	30°	6,000	9,000	6'	167	3.2'	3.2'
				8'	94	4.3'	4.3'
				10'	60	5.4'	5.4'
				12'	42	6.4'	6.4'
 39W PAR30 (MC/MH) SP	10°	42,000	9,000	15'	187	2.6'	2.6'
				20'	105	3.5'	3.5'
				25'	67	4.4'	4.4'
				30'	47	5.2'	5.2'
				30'	47	5.2'	5.2'
 39W PAR30 (MC/MH) FL	30°	8,900	9,000	7'	153	3.8'	3.8'
				10'	75	5.4'	5.4'
				13'	44	7.0'	7.0'
				16'	29	8.6'	8.6'
 70W PAR30 (MC/MH) SP	10°	62,000	6,000	15'	276	2.6'	2.6'
				20'	155	3.5'	3.5'
				25'	99	4.4'	4.4'
				30'	69	5.2'	5.2'
 70W PAR30 (MC/MH) FL	40°	9,000	6,000	7'	184	5.1'	5.1'
				10'	90	7.3'	7.3'
				13'	53	9.5'	9.5'
				16'	35	11.6'	11.6'

Job Information **Type:**