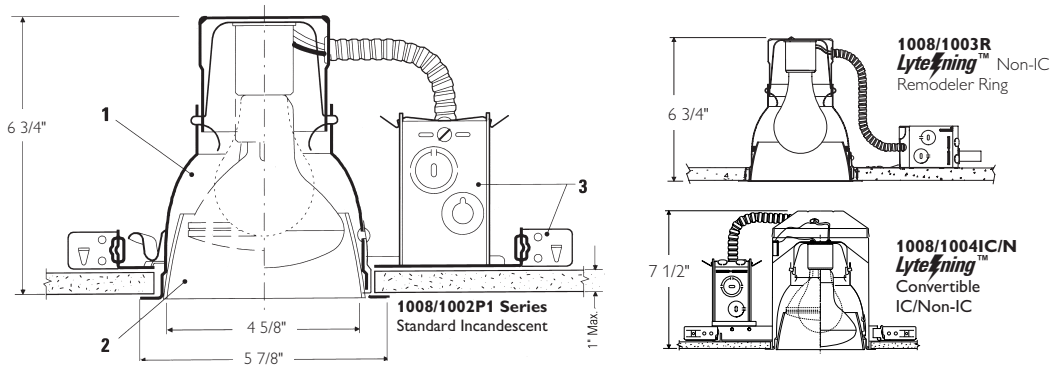


5" Aperture Cone Reflector Trim



Complete Fixture consists of Reflector Trim & Frame-In Kit. Select each separately.

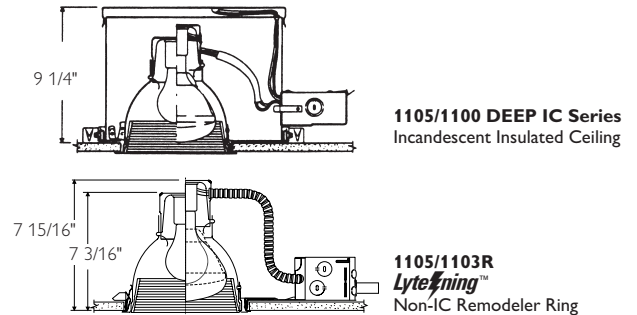
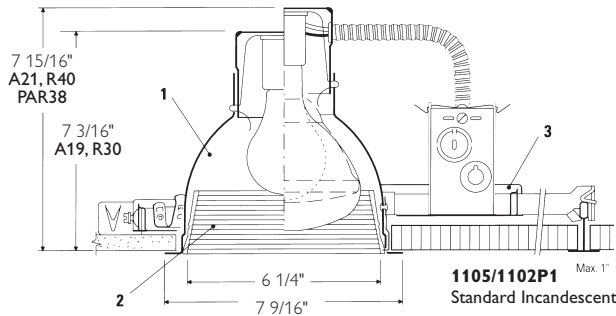
Reflector Trim	Frame-In Kit — See Individual Frame-In Kit Specification Sheets							
	LED				Incandescent			
	Frame-In Kit	Installation Type	Lamping	Height	Frame-In Kit	Ceiling Type	Lamping	Height
1008 † Brushed Gold								
1010 † Brushed Clear								
1012 † Specular Gold								
1013 † Specular Clear								
1013CD † Clear Diffuse								
1013BK † Specular Black								
1013WH Matte White								
	1001LED	Non-IC	LED	6 3/4"	1004SIC/N	IC	65W BR30	5 1/2"
	1001LEDEM	Non-IC EM	LED	6 3/4"	1004SICR	IC Remodeler	50W PAR30	5 1/2"
	1000LEDREM	Non-IC	LED	6 3/4"				
	L56LED	Remodeler	LED	6 3/4"				
		Non-IC Retrofit						
		Incandescent			1004IC/N	Non-IC	75W PAR30*	7 1/2"
					1004ICR	Non-IC Remodeler	85W BR30 60W A19	7 1/2"
	Frame-In Kit	Ceiling Type	Lamping	Height	1004SIC/N	Non-IC	75W PAR30*	5 1/2"
					1004SICR	Non-IC Remodeler	85W BR30	5 1/2"
	1000P1	Non-IC	75W A19, PAR30* 75W BR30	6 3/4"	1004ICX/N	IC	60W A19 75W PAR30 85W BR30	7 1/4"
	1002P1	Non-IC	75W A19, PAR30* 75W BR30	6 3/4"	1004IC/N	IC	40W A19 50W PAR30 65W BR30	7 1/2"
	1003R	Non-IC Remodeler	75W A19, PAR30* 85W BR30	6 3/4"				

† = add "NM" to sku for NaturalMetal™ flange

** Lightolier recommends the use of triple tube lamps.

Job Information	Type:
Job Name:	
Cat. No.:	
Notes:	

5" Aperture Cone Reflector Trim



Complete Fixture consists of Reflector Trim & Frame-In Kit. Select each separately.

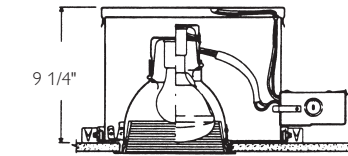
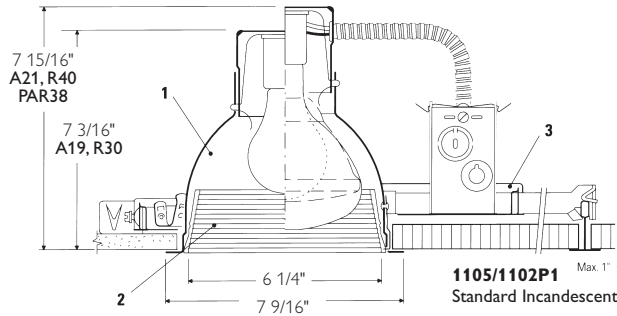
Reflector Trim	Frame-In Kit — See Individual Frame-In Kit Specification Sheets			
	Fluorescent			
	Frame-In Kit	Installation Type	Lamping	Height
1008 † Brushed Gold				
1010 † Brushed Clear				
1012 † Specular Gold				
1013 † Specular Clear				
1013CD † Clear Diffuse				
1013BK † Specular Black				
1013WH Matte White				
	1001F13U Series	Uniframe™ Non-IC	(1) Triple 13W (GX24q-1)	5 7/8"
	1001F18U Series	Uniframe™ Non-IC	(1) Triple 18W (GX24q-2)	5 7/8"
	1004F13 Series	IC	(1) Quad/Triple 13W (GX24q-1)	7 1/2"
	1004F18** Series	IC	(1) Quad/Triple 18W (GX24q-2)	7 1/2"
	1004F26** Series	IC	(1) Quad/Triple 26W (GX24q-3)	7 1/2"
	1001F13ICU/N	Performance IC	(1) Triple 13W (GX24q-1)	7 1/4"
	1001F18ICU/N	Performance IC	(1) Triple 18W (GX24q-2)	7 1/4"
	1910XFH1	Conversion Kit	(1) Quad 13W (GX23-2)	7 1/2"

† = add "NM" to sku for NaturalMetal™ flange

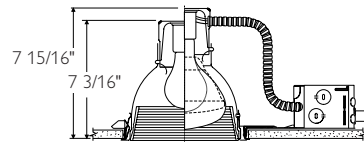
** Lightolier recommends the use of triple tube lamps.

Job Information Type:

5" Aperture Cone Reflector Trim



1105/1100 DEEP IC Series
Incandescent Insulated Ceiling



1105/1103R
LyteLighting™
Non-IC Remodeler Ring

Features

- 1.Reflector:** Hydroformed aluminum, .040" thick, (18 ga.);Anobrite™ (anodic-processed) semi-specular finish for permanent reflectivity; matte white or Natural Meta™ trim flange.
- 2. Cone:** Aluminum cone painted or anodized finish.
- 3. Frame-In Kit:** (1002P1 standard frame shown). Other frames listed above and shown on the right. See Frame-In Kit specification sheets for more details.

Options & Accessories

Lytegems®: See or 1400 Series specification sheets.

Retaining Clips: 1955 - For Installing in Existing Ceiling

Extra Wide Flange Trim Ring: 1957 - 7" O.D

Medium - Base 1968 - For use w/short neck Par30

Socket Extender: lamps indicated above (*).

Spread Lens: L56WWLENS - Proprietary spread lens for use with combination of wall washer optics and LED Frame-In Kits.

Labels

UL (Suitable for Damp Locations), I.B.E.W.

Job Information	Type:
------------------------	--------------

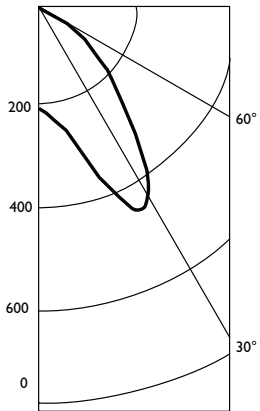
PHILIPS

LIGHTOLIER

5" Aperture Cone Reflector Trim

Certified Test Report No. 1198

Computed by LSI Program ****TEST-LITE**** Recessed Lytecaster Downlight 4 5/8" Specular Clear Cone
One 75W A19 Frosted Lamp. Lumen Rating = 1800 LMS.



Angle	Mean CP
0	208
5	219
10	241
15	282
20	363
25	442
30	440
35	364
40	272
45	200
50	145
55	69
60	28
65	2
70	0
75	0
80	0
85	0
90	0

Zonal lumens and percentages			
Zone	Lumens	%Lamp	%Luminaire
0-30	299	25.35	39.27
0-40	525	44.52	68.97
0-60	753	63.84	98.90
0-90	761	64.55	100

****Efficiency = 64.5%**

Tested according to IES Procedures.
Test distance exceeds five times the greatest luminous opening of luminaire.

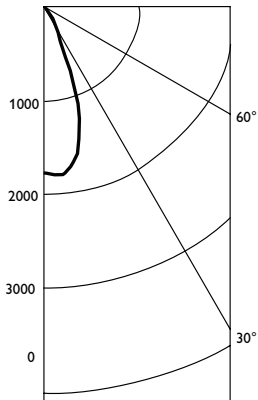
Coefficients of utilization											
Ceiling	80%			70%			50%			0%	
	50	30	10	50	30	10	50	30	10	0	
Wall	% WALL RELECTANCE										
Room Cavity Ratio	1	.71	.69	.68	.70	.68	.66	.67	.66	.64	.60
	2	.65	.63	.60	.64	.62	.59	.62	.60	.58	.60
	3	.60	.56	.53	.59	.56	.53	.57	.54	.52	.49
	4	.55	.51	.48	.54	.51	.47	.53	.50	.47	.45
	5	.50	.46	.43	.50	.45	.43	.48	.45	.42	.40
	6	.46	.41	.38	.45	.41	.38	.44	.41	.38	.36
	7	.42	.37	.34	.41	.37	.34	.40	.36	.33	.32
	8	.38	.33	.30	.37	.33	.30	.37	.33	.30	.28
	9	.34	.30	.26	.34	.29	.26	.33	.29	.26	.25
	10	.31	.26	.23	.31	.26	.23	.30	.26	.23	.22

20% Floor Cavity Reflectance

Conversion Factors: 75W Brushed Clear & Gold, C.U. x 0.7;
White, C.U. 0.8; Black, C.U. x 0.45 1 Lt. 13W Quad Tube: Specular
& Brushed Clear & Gold, G.U. x 0.8; White, C.U. x 0.7; Black C.U.
x 0.45.

Certified Test Report No. 1869

Computed by LSI Program ****TEST-LITE**** Recessed Lytecaster Downlight 4 5/8" Dia. Aperture,
Specular Clear Cone, One 75W PAR30 Flood Lamp. Lumen Rating = 1275 LMS.



Angle	Mean CP
0	1778
5	1800
10	1747
15	1539
20	1158
25	703
30	390
35	265
40	178
45	98
50	41
55	19/
60	6
65	1
70	0
75	0
80	1
85	0
90	1

Zonal lumens and percentages			
Zone	Lumens	%Lamp	%Luminaire
0-30	913	71.67	77.60
0-40	1080	84.74	91.75
0-60	1174	92.14	99.77
0-90	1177	92.36	100

****Efficiency = 92.4%**

Tested according to IES Procedures. Test distance exceeds five times the greatest luminous opening of luminaire.

Coefficients of utilization											
Ceiling	80%			70%			50%			0%	
	50	30	10	50	30	10	50	30	10	0	
Wall	% WALL RELECTANCE										
Room Cavity Ratio	1	1.04	1.02	1.00	1.02	1.00	.99	.98	.97	.96	.88
	2	.99	.96	.93	.97	.94	.92	.94	.92	.90	.85
	3	.94	.90	.87	.93	.89	.87	.90	.88	.86	.82
	4	.90	.86	.83	.89	.81	.82	.87	.84	.81	.79
	5	.86	.81	.78	.85	.81	.78	.83	.80	.77	.75
	6	.82	.78	.75	.81	.77	.74	.80	.77	.74	.72
	7	.78	.74	.71	.78	.74	.70	.76	.73	.70	.70
	8	.75	.70	.68	.74	.70	.67	.73	.70	.67	.65
	9	.72	.67	.64	.71	.67	.64	.70	.66	.64	.62
	10	.68	.64	.61	.68	.64	.61	.67	.64	.64	.60

20% Floor Cavity Reflectance

Conversion Factors: 75W PAR30 FL: Brushed Clear & Gold, White C.U. x 1.0; Black, C.U. x 0.85. 75W BR30: Specular Clear & Gold, C.U. X 1.0; Brushed Clear & Gold, C.U. x 0.9; White, C.U. x 0.95; Black, C.U. x 0.65

To convert lighting data for a lower wattage incandescent lamp of the same type, multiply the footcandle (or candlepower) values by the ratio of the lumens of the two lamps. The coefficients of utilization remain the same.



Philips Lightolier
e: lol.webmaster@philips.com
t: (508) 679-8131
w: www.lightolier.com

1008 November 14, 2011

Specifications are subject to change without notice.
© Koninklijke Philips Electronics N.V., 2011. All rights reserved.

Job Information Type: