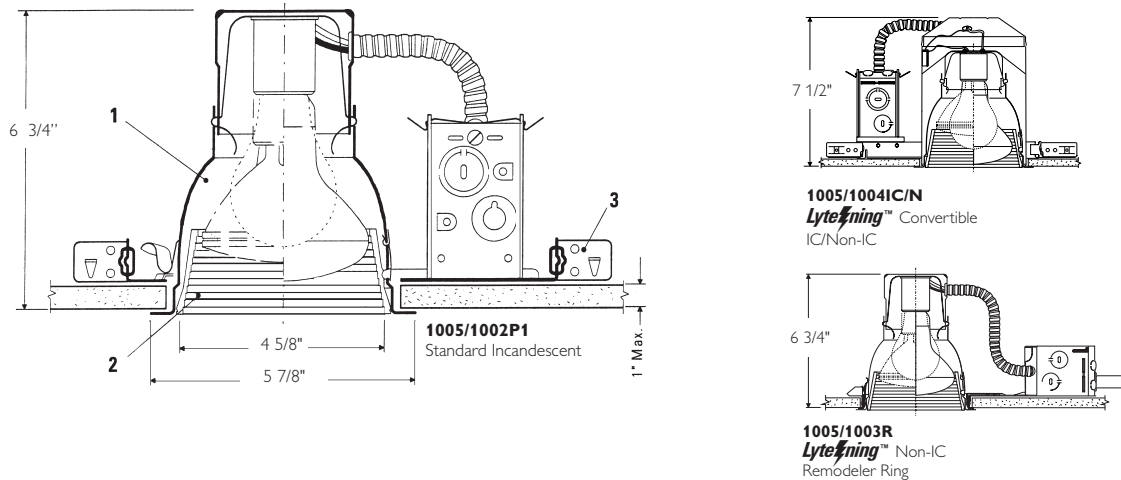


5" Aperture Step Baffle Reflector Trim



Complete Fixture consists of Reflector Trim & Frame-In Kit. Select each separately.

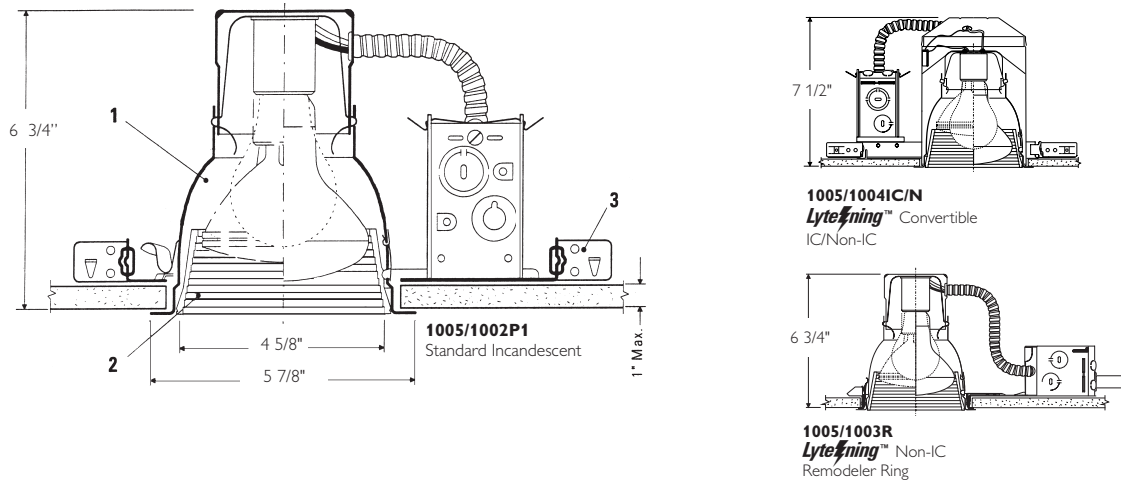
Reflector Trim	Frame-In Kit — See Individual Frame-In Kit Specification Sheets							
	LED				Incandescent			
1005 Matte Black	Frame-In Kit	Installation Type	Lamping	Height	Frame-In Kit	Ceiling Type	Lamping	Height
1005BNM Natural Metal™ baffle Natural Metal flange	1001LED	Non-IC	LED	6 3/4"	1000IC	IC	40W A19	7 5/16"
	1001LEDEM	Non-IC EM	LED	6 3/4"	1000AICM	IC AirSeal®	75W PAR30	7 5/16"
	1000LEDREM	Non-IC	LED	6 3/4"	1004ICX/N	IC AirSeal®	65W BR30	7 1/4"
	L56LED	Remodeler Non-IC Retrofit	LED	6 3/4"				
1005NM Matte Black with Natural Metal™ flange	Incandescent				1004IC/N	IC	60W BR30	7 1/2"
					1004ICR	IC Remodeler	50W PAR30*	7 1/2"
	Frame-In Kit	Ceiling Type	Lamping	Height	1004SIC/N	IC		5 1/2"
1005WH Matte White	1002P1	Non-IC	75W A19, PAR30*	6 3/4"	1004ICR	IC Remodeler		5 1/2"
	1000P1	Non-IC	75W BR30		1004IC/N	Non-IC	75W PAR30*	7 1/2"
					1004ICR	Non-IC Remodeler	75W BR30 40W A19	7 1/2"
	1003R	Non-IC Remodeler	75W A19, PAR30* 85W BR30	6 3/4"	1004SIC/N	Non-IC	75W PAR30*	5 1/2"
					1004SICR	Non-IC Remodeler	75W BR30	5 1/2"

*(See Socket Extender Accessory For Short Neck.)

** Lightolier recommends the use of triple tube lamps.

Job Information	Type:
Job Name:	
Cat. No.:	
Notes:	

5" Aperture Step Baffle Reflector Trim



Complete Fixture consists of Reflector Trim & Frame-In Kit. Select each separately.

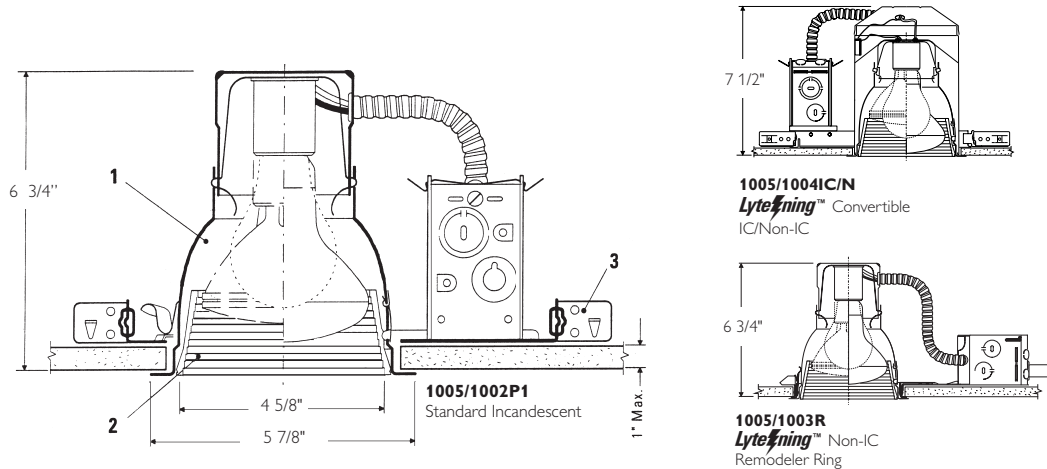
Reflector Trim	Frame-In Kit — See Individual Frame-In Kit Specification Sheets							
	Incandescent				Fluorescent			
1005 Matte Black	Frame-In Kit	Ceiling Type	Lamping	Height	Frame-In Kit	Ceiling Type	Lamping	Height
1005BNM Natural Metal™ baffle Natural Metal flange	1000IC	IC	40W A19	7 5/16"	1001F13U Series	UniFrame™ Non-IC	(1) Triple 13W (GX24q-1)	5 7/8"
	1000AICM	IC AirSeal®	75W PAR30	7 5/16"				
	1004ICX/N	IC AirSeal®	65W BR30	7 1/4"				
1005NM Matte Black with Natural Metal™ flange	1004IC/N	IC	60W BR30	7 1/2"	1001F18U Series	UniFrame™ Non-IC	(1) Triple 18W (GX24q-2)	5 7/8"
	1004ICR	IC	50W PAR30*	7 1/2"				
	1004SIC/N	IC Remodeler		5 1/2"	1004F13 Series	IC	(1) Quad/Triple 13W (GX24q-1)	7 1/2"
1005WH Matte White	1004SICR	IC Remodeler		5 1/2"	1004F18** Series	IC	(1) Quad/Triple 18W (GX24q-2)	7 1/2"
	1004IC/N	Non-IC	75W PAR30*	7 1/2"	1004F26** Series	IC	(1) Quad/Triple 26W (GX24q-3)	7 1/2"
	1004ICR	Non-IC Remodeler	75W BR30 40W A19	7 1/2"				
	1004SIC/N	Non-IC Remodeler	75W PAR30*	5 1/2"	1001F13ICU/N	Performance IC	(1) Triple 13W (GX24q-1)	7 1/4"
				75W BR30	5 1/2"	1001F18ICU/N	Performance IC	(1) Triple 18W (GX24q-2)
1004SICR				1910XFH1	Conversion Kit	(1) Quad 13W (GX23-2)	6 3/4"	

*(See Socket Extender Accessory For Short Neck.)

** Lightolier recommends the use of triple tube lamps.

Job Information Type:

5" Aperture Step Baffle Reflector Trim



Features

- 1. Reflector:** Hydroformed aluminum, .040" (18 ga.); Anobrite™ (anodic-processed) semi-specular finish for permanent reflectivity; matte white or Natural Metal™ trim flange.
- 2. Step Baffle:** Aluminum step baffle, painted or anodized finish.
- 3. Frame-In Kit:** (1002P1 standard frame shown). Other frames listed above and shown on the right. See Frame-In Kit specification sheet for more details.

Options & Accessories

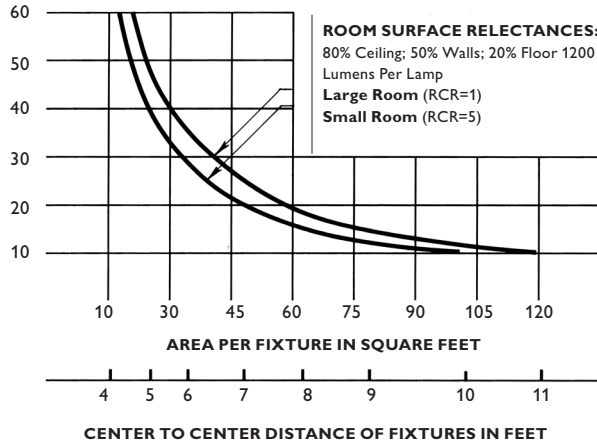
- Lytegems®:** See or 1400 Series specification sheets.
- Retaining Clips:** **1955** - For Installing in Existing Ceiling
- Extra Wide Flange Trim Ring:** **1957** - 7" O.D.
- Medium-Base** **1968** - For use w/short neck Par30
- Socket Extender:** lamps indicated above (*)
- Spread Lens:** L56WWLENS - Proprietary spread lens for use with combination of wall washer optics and LED Frame-In Kits.

Labels

UL (Suitable for Damp Locations), I.B.E.W.

Job Information	Type:
------------------------	--------------

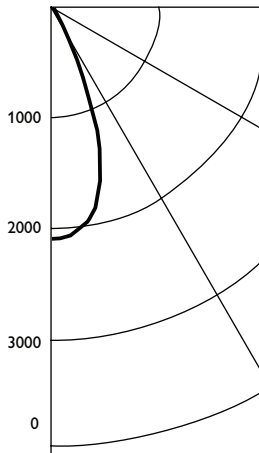
5" Aperture Step Baffle Reflector Trim



Use quick calculator chart to determine the spacing of 75 Watt PAR30 FL units (Black) for a desired level of illumination. Conversion Factors: 75W PAR30 FL, White, F.C. x 1.1

Certified Test Program No. 1868

Computed by LSI Program ****TEST-LITE**** Recessed Lytecaster Downlight 4 5/8" Dia. Aperture, Black Step Baffle One 75W PAR30 Flood L:amp, Lumnen Rating = 1275 LMS.



Angle	Mean CP
0	2087
5	2051
10	1972
15	1721
20	1233
25	643
30	293
35	155
40	95
45	54
50	15
55	2
60	1
65	1
70	1
75	1
80	1
85	1
90	1

Room Cavity Ratio	Coefficients of utilization									
	Ceiling		80%			70%			50%	
Wall	50	30	10	50	30	10	50	30	10	0
*% WALL RELECTANCE										
1	.99	.97	.96	.97	.95	.94	.93	.92	.91	.85
2	.94	.92	.89	.93	.90	.89	.90	.88	.87	.81
3	.90	.87	.85	.89	.87	.84	.87	.85	.83	.80
4	.87	.84	.81	.86	.83	.81	.84	.82	.80	.77
5	.84	.80	.77	.83	.79	.77	.81	.79	.76	.74
6	.81	.77	.75	.80	.77	.74	.79	.76	.74	.72
7	.78	.74	.72	.77	.74	.71	.76	.73	.71	.69
8	.75	.71	.69	.74	.71	.69	.74	.71	.69	.67
9	.72	.69	.66	.72	.69	.66	.71	.68	.66	.66
10	.70	.67	.64	.70	.67	.64	.69	.66	.64	.63

Conversion Factor: 75W PAR30 FL; White, C.U. x 1.1 65W BR30 FL; Black, C.U. x .75; White, C.U. x 1.0.

To convert lighting data for a lower wattage incandescent lamp of the same type, multiply the footcandle (or candlepower) values by the ratio of the lumens of the two lamps. The coefficients of utilization remain the same.

Tested according to IES Procedures. Test distance exceeds five times the greatest luminous opening of luminaire.

Zonal lumens and percentages			
Zone	Lumens	%Lamp	%Luminaire
0-30	962	75.4	87
96	1066	83.6	96
0-60	1109	87.01	100
0-90	1111	87.20	100

****Efficiency = 87.2%**



Philips Lightolier
e: lol.webmaster@philips.com
t: (508) 679-8131
w: www.lightolier.com
1005 November 14, 2011

Specifications are subject to change without notice.
© Koninklijke Philips Electronics N.V., 2011. All rights reserved.

Job Information Type: