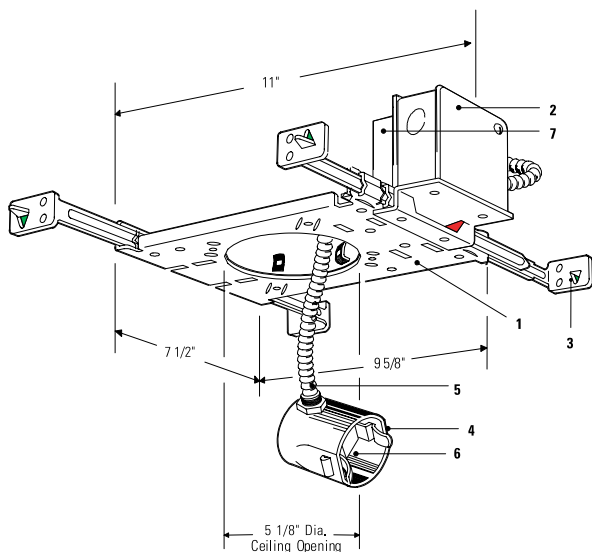
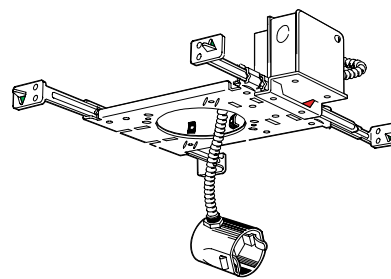


# Lytecaster® Recessed Downlighting **1002F1LC**



Chicago Plenum  
Approval #3077E



Frame-In Kit



Reflector Trim

Complete Fixture consists of Reflector Trim & Frame-In Kit. Select each separately.

Frame-In Kit		Reflector Trims — See Individual Reflector Trim Specification Sheets							
		Open Downlight							
		Reflector	Cone	Satin Cone	Baffles	Basic White	Pinhole	Enclosed Diffusers	Wall Washer
<b>1002F1LC</b>	NPF 120V	<b>1045</b>	<b>1012</b>	<b>1008</b>	<b>1005</b>	<b>1071</b>	<b>1011</b>	<b>1021</b>	<b>1035</b>
<b>1002FH1LC</b>	HPF 120V	<b>1046</b>	<b>1012NM</b>	<b>1008NM</b>	<b>1005NM</b>			<b>1024</b>	<b>1035WH</b>
<b>1002FH2LC</b>	HPF 277V	<b>1046CD</b>	<b>1013</b>	<b>1010</b>	<b>1005BNM</b>			<b>1078</b>	<b>1085</b>
			<b>1013BK</b>	<b>1010NM</b>	<b>1076WH</b>				<b>1095</b>
			<b>1013BKNM</b>		<b>1076</b>				<b>1096</b>
			<b>1013CD</b>		<b>1076WH</b>				<b>1096CD</b>
			<b>1013CDNM</b>						
			<b>1013NM</b>						
			<b>1013WK</b>						

## Features

- Mounting Frame:** 0.036" (#20 ga.) galvanized steel. Accommodates all ceilings up to 1" thick; including existing or inaccessible areas. Breakout section and anchor nails permits installation in existing ceilings from below. Push-in/twist-out rotoclips hold reflector flush to ceiling.
- Junction Box:** Plenum approved. 0.063" (#14 ga.) galvanized steel; 4" x 4" x 2". U.L. listed for maximum of 8 No. 12 ga., 75°C through branch circuit conductors.
- Mounting Bars:** 0.059" (#16 ga.) galvanized steel. 13" long bars extend to 27", rotatable and lockable, with integral T-bar tabs. Attaches to wood joist or T-bar ceilings without need of accessories.
- Socket Housing:** Impact extruded aluminum precisely attached to reflector by spring clips.
- FMT Connectors/Flexible Metallic Tubing:** Plenum approved.
- Socket:** Two-pin Gx23-2 base, molded thermoplastic. Prewired with No. 18 AWM leads to 4" x 3 1/2" x 2" junction box.
- Ballast:** Electromagnetic, encased and potted, class "P". 120 volts or 277 volts; high power factor or normal power factor. Insulation must be kept 3" away from fixture sides and wiring compartment and must not be placed above fixture in a manner which will entrap heat.

## Electrical

	120V-NPF	120V-HPF	277V-HPF
Input watts:	17.5	15.5	21.5
Amps:	0.30	0.14	0.085

Minimum starting temperature is 32° F.

## Options & Accessories

- Mounting Bars:** 1964 - 20" set of (2)
- T-Bar Anchor Clips:** 1956 - set of (4) for use with above bars
- Plaster Ceiling Ring:** 1960 - 7/8" depth for wet plaster ceilings.
- Remodeler Anchor Clips:** 1985N

## Labels

UL (Suitable for Damp Locations), I.B.E.W.

Job Information	Type:
<b>Job Name:</b>	
<b>Cat. No.:</b>	
<b>Lamp(s):</b>	
<b>Notes:</b>	

Lightolier a Genlyte company [www.lightolier.com](http://www.lightolier.com)  
 631 Airport Road, Fall River, MA 02720 • (508) 679-8131 • Fax (508) 674-4710  
 We reserve the right to change details of design, materials and finish.  
 © 2006 Genlyte Group LLC • G0506