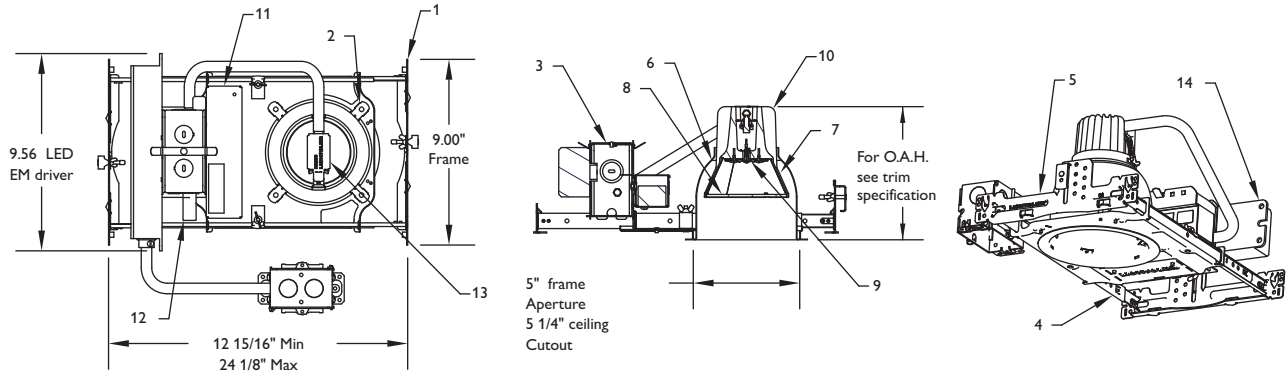


1001LEDEM

Lytecaster, 5", LED EM, Non-IC, FIK



Trim compatibility for the 1001LED series frame-in-kits

Frame-in kit sku	Cone	Satin cone	Baffle
1001LED09N271EM	1012	1008	1005
1001LED09N272EM	1012NM	1008NM	1005NM
1001LED09N351EM	1013	1010	1005WH
1001LED09N352EM	1013NM	1010NM	1005BNM
	1013BK		1076
	1013BKNM		1076WH
	1013CD		
	1013CDNM		
	1013WH		

Job Information	Type:
Job Name:	
Cat. No.:	
Notes:	

PHILIPS
LIGHTOLIER

1001LEDEM

Lytecaster, 5", LED EM, Non-IC, FIK

Page 2 of 2



Features

- 1. Mounting frame:** .036" (#20ga.) Galvanized Steel. Accommodates all ceilings up to 1 1/2" thick; including existing or inaccessible areas.
- 2. Trim clips:** "Push In / Twist Out" Stainless Steel clips hold reflector flush to ceiling.
- 3. Junction box:** 2" x 4" x 3-1/2" (22cu. in.) .032" (#22ga.) galvanized steel. UL Listed for maximum of 8 (#12ga.) through branch circuit conductors.
- 4. Uniframe mounting system – grid ceiling:** Tool free mounting in grid ceilings. .036" (20ga.) Galvanized Steel interlocking slide bars adjust to 24-1/8" long accommodating 24" O.C. Ceiling Grid. Adjustable speed clamps for positive attachment to grid ceiling systems.
- 5. Uniframe mounting system – wood joist ceiling:** Integral nailing tabs, alignment guides, fastener holes and bendable strapping guides for wood joist installation. Galvanized Steel interlocking slide bars adjust from 12-15/16" to 24-1/8" long to accommodate 16" and 24" O.C. joist spacing, with or without strapping.
- 6. Reflector:** See individual specification sheets for information.
- 7. Optical mixing chamber:** Designed to provide a spacing ratio of .9 (60° beam) when installed in standard Lytecaster trims. Optic design provides less glare than standard PAR lamps.
- 8. Lens:** Solite Glass lens has high transmission value with slight texturing to provide a smooth consistent beam distribution.
- 9. Led board:** Utilizes Philips Lumileds LED's.
- 10. Thermal management:** Heat sink was developed using the latest in Computational Fluid Dynamics Software. This optimized thermal design provides a 50,000 hour lifetime at 70% lumen maintenance. Cast aluminum heat sink is coated with a RoHS compliant coating (trivalent chromate) to resist corrosion in damp/wet environments.

- 11. Power supply/enclosure:** Factory wired electronic LED driver (see Electrical section for specifications) Enclosed in a 22ga. galvanized steel housing.
- 12. Thermal protector:** Meets NEC and UL requirements. Do not install above or within 3" (76mm) of any part of the luminaire.
- 13. Top heat sink cover:** Tool free snap on enclosure bracket. 22ga. component houses the driver secondary tool free wire connector.
- 14. Emergency battery:** 90 minute battery backup, complete with charge indicator light and integrated test switch. Average lumen output @ end of 90 min operation 150 lm for 1013 and 120 lm for 1005. All other color variation will be in between these values.

Electrical

Electronic power supply: RoHS compliant Class 2 power unit for use in a damp or dry location (Outdoor Type1 IP66). Class A sound rated unit tolerates sustained open circuit and short circuit output conditions without damage. Complies with FCC rules per Title 47 CFR Part 15 Non-Consumer (Class A) for EMI/RFI (conducted and radiated) at full load.

Input Voltage	Input Frequency	Max Input Current	Max Input Power	Max THD	Power Factor	Minimum Operating Temperature	Dimming Signal
120V	50/60Hz	0.16	23.4W	< 20%	>.9	-20° C	N/A
277V	50/60Hz	0.09	23.4W	< 20%	>.9	-20° C	N/A

Labels

This EM luminaire makes all compatible trims suitable for wet location.
ENERGY STAR®.
5 Year Warranty.
UL Listed. Suitable for Damp Locations. I.B.E.W.

Accessories

1967B Extra Thick Ceiling Adapter (2" thk)



Philips Lightolier
e: lol.webmaster@philips.com
t: (508) 679-8131
w: www.lightolier.com

1001LEDEM July 22, 2011

Specifications are subject to change without notice.
© Koninklijke Philips Electronics N.V., 2011. All rights reserved.

Job Information	Type:
------------------------	--------------