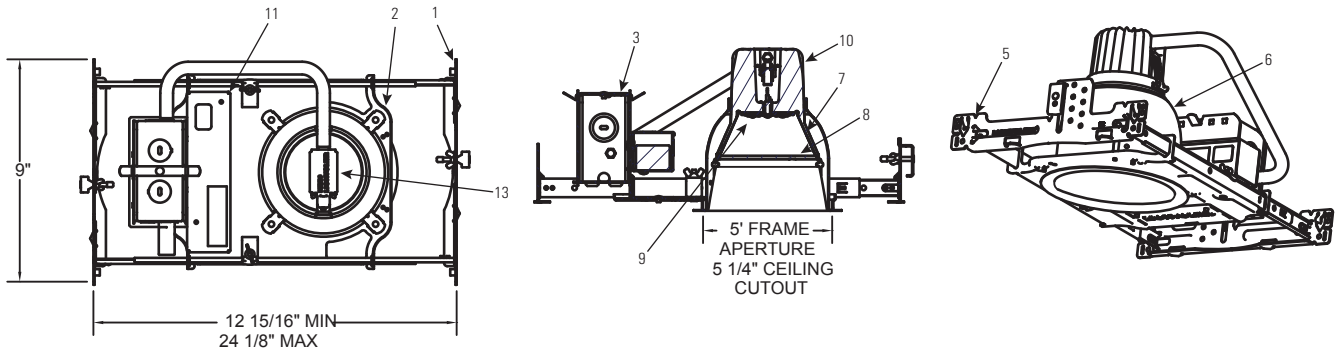


1001LED

Lytecaster, 5", LED, Non-IC, FIK

Page 1 of 4



Trim compatibility for the 1001LED series frame-in-kits

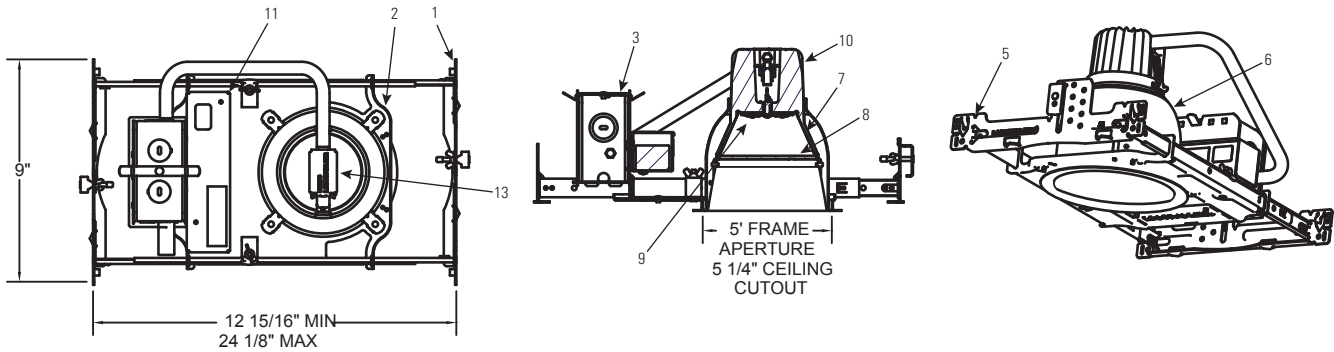
Frame-in kit sku	Cone	Satin cone	Baffle	Basic white	Pinhole	Enclosed diffusers	Wall washers
1001LED09N271 (120V)	1012	1008	1005	1071	1011	1024	1035
1001LED09N272 (277V)	1012NM	1008NM	1005NM			1078	1035WH
1001LED09N351 (120V)	1013	1010	1005WH			1090	1085
1001LED09N352 (277V)	1013NM	1010NM	1005BNM				
1001LED09N27D1 (120V Dimming)	1013BK		1076				
1001LED09N35D1 (120V Dimming)	1013BKNM		1076WH				
	1013CD						
	1013CDNM						
	1013WH						

Job Information	Type:
Job Name:	
Cat. No.:	
Notes:	

1001LED

Lytecaster, 5", LED, Non-IC, FIK

Page 2 of 4



Energy star lytecaster led trim compatibility chart



The following trims meet the necessary requirements to obtain a commercial energy star listing when used with the 1001led series of frame-in kits

5" Trims (1000 series) w/1001 LED frames

1005BNM	1010	1013	1013CD	1076WH
1005WH	1010NM	1013NM	1013CDNM	1090
1008	1012	1013BK	1013WH	
1008NM	1012NM	1013BKNM	1071	

Job Information Type:

PHILIPS
LIGHTOLIER

1001LED

Lytecaster, 5", LED, Non-IC, FIK

Page 3 of 4



Features

- 1. Mounting frame:** .036" (#20ga.) Galvanized Steel. Accommodates all ceilings up to 1 1/2" thick; including existing or inaccessible areas.
- 2. Trim clips:** "Push In / Twist Out" Stainless Steel clips hold reflector flush to ceiling.
- 3. Junction box:** 2" x 4" x 3-1/2" (22cu. in.) .032" (#22ga.) galvanized steel. UL Listed for maximum of 8 (#12ga.) through branch circuit conductors.
- 4. Uniframe mounting system – grid ceiling:** Tool free mounting in grid ceilings. .036" (20ga.) Galvanized Steel interlocking slide bars adjust to 24-1/8" long accommodating 24" O.C. Ceiling Grid. Adjustable speed clamps for positive attachment to grid ceiling systems.
- 5. Uniframe mounting system – wood joist ceiling:** Integral nailing tabs, alignment guides, fastener holes and bendable strapping guides for wood joist installation. Galvanized Steel interlocking slide bars adjust from 12-15/16" to 24-1/8" long to accommodate 16" and 24" O.C. joist spacing, with or without strapping.
- 6. Reflector:** See individual specification sheets for information.
- 7. Optical mixing chamber:** Designed to provide a spacing ratio of .9 (60° beam) when installed in standard Lytecaster trims. Optic design provides less glare than standard PAR lamps.
- 8. Lens:** Solite Glass lens has high transmission value with slight texturing to provide a smooth consistent beam distribution.
- 9. Led board:** Utilizes Philips Lumileds LED's.
- 10. Thermal management:** Proprietary heat sink was developed using the latest in Computational Fluid Dynamics Software. This optimized thermal design provides a 50,000 hour lifetime at 70% lumen maintenance. Cast aluminum heat sink is coated with a RoHS compliant coating (trivalent chromate) to resist corrosion in damp/wet environments.
- 11. Power supply/enclosure:** Factory wired electronic LED driver (see Electrical section for specifications) Enclosed in a 22Ga galvanized steel housing.

Electrical

Electronic power supply: RoHS compliant Class 2 power unit for use in a damp or dry location (Outdoor Type1 IP66). Class A sound rated unit tolerates sustained open circuit and short circuit output conditions without damage. Complies with FCC rules per Title 47 CFR Part 15 Non-Consumer (Class A) for EMI/RFI (conducted and radiated) at full load. Dimming (0-10V) version intended for use with 0-10V DC type dimmers. See www.advance.philips.com for latest dimming switch compatibility.

Input Voltage	Input Frequency	Max Input Current	Max Input Power	Max THD	Power Factor	Minimum Operating Temperature	Dimming Signal
120V	50/60Hz	0.16	20W	< 20%	>.9	-20° C	N/A
120V Dim	50/60Hz	0.19	21W	< 20%	>.9	-20° C	0-10V
277V	50/60Hz	0.09	21W	< 20%	>.9	-20° C	N/A

Labels

UL Wet Location Classified
ENERGY STAR® qualified for use with specific finishing trims (see p 2).
5 Year Warranty.
cULus Listed. Suitable for Damp Locations. I.B.E.W.
Title 24 Compliant

Accessories

1967B Extra Thick Ceiling Adapter (2" thk)

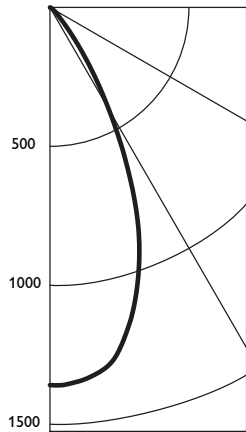
Job Information	Type:
------------------------	--------------

PHILIPS
LIGHTOLIER

1001LED

Lytecaster, 5", LED, Non-IC, FIK

Lytecaster LED, 2700K UniFrame



Angle	Mean CP
0	1359
5	1347
10	1293
15	1143
20	940
25	685
30	423
35	224
40	98
45	44
50	27
55	13
60	6
65	2
70	1
75	1
80	0
85	0
90	0

Catalog No: 1001LED09N271 / 1013

Report No.:	F10156
Total Fixture Lumens:	952
Color Temp:	2700K
Input Watts:	20.7W
Luminaire Efficacy	46 lm/w
Spacing Criterion:	0.82
CRI	82

		Coefficients of utilization									
		80%			70%			50%		0%	
		70	50	30	70	50	30	50	30	10	0
Ceiling											
Wall											
RCR		Zonal Cavity Method - Effective Floor Reflectance = 20%									
Room Cavity Ratio		119	119	119	116	116	116	111	111	111	100
	1	114	111	109	111	109	107	105	103	102	94
	2	109	104	100	106	102	99	99	96	94	88
	3	104	98	93	102	96	92	94	90	87	83
	4	99	92	87	97	91	86	88	84	81	78
	5	94	86	81	93	86	80	84	79	76	73
	6	90	82	76	89	81	76	79	75	71	69
	7	86	77	72	85	77	71	75	71	67	65
	8	82	73	68	81	73	67	72	67	63	62
	9	79	70	64	78	69	64	68	63	60	58
	10	75	66	61	74	66	60	65	60	57	55

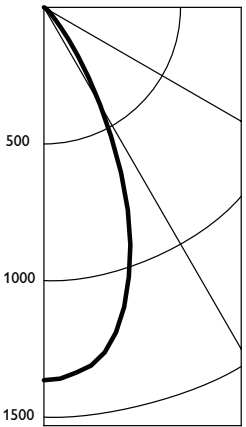
Zonal lumens and percentages			
Zone	Lumens	%Lamp	%Fixt
0-30	753	N/A	79
0-40	898	N/A	94
0-60	949	N/A	99
0-90	952	N/A	100

Single Unit Data		
Height to Lighted Plane	Initial Center Beam Foot-Candles	Beam Diameter*
6'	38	5
7'	28	6
8'	21	7

Tested using absolute photometry as specified in LM79: IESNA Approved Method for the Electrical and Photometric Measurements of Solid-State Lighting Products.

*Beam diameter is where foot-candles drop to 50% of maximum.

Lytecaster LED, 3500K UniFrame



Angle	Mean CP
0	1359
5	1347
10	1293
15	1143
20	940
25	685
30	423
35	224
40	98
45	44
50	27
55	13
60	6
65	2
70	1
75	1
80	0
85	0
90	0

Catalog No: 1001LED09N351 / 1013

Report No.:	F10131
Total Fixture Lumens:	936
Color Temp:	3500K
Input Watts:	18.8W
Luminaire Efficacy	50 lm/w
Spacing Criterion:	0.8
CRI	82

		Coefficients of utilization									
		80%			70%			50%		0%	
		70	50	30	70	50	30	50	30	10	0
Ceiling											
Wall											
RCR		Zonal Cavity Method - Effective Floor Reflectance = 20%									
Room Cavity Ratio		119	119	119	116	116	116	111	111	111	100
	1	114	111	109	111	109	107	105	103	102	94
	2	109	104	100	106	102	99	99	96	94	88
	3	104	98	93	102	96	92	94	90	87	83
	4	99	92	87	97	91	86	88	84	81	78
	5	94	86	81	93	86	80	84	79	76	73
	6	90	82	76	89	81	76	79	75	71	69
	7	86	77	72	85	77	71	75	71	67	65
	8	82	73	68	81	73	67	72	67	63	62
	9	79	70	64	78	69	64	68	63	60	58
	10	75	66	61	74	66	60	65	60	57	55

Zonal lumens and percentages			
Zone	Lumens	%Lamp	%Fixt
0-30	742	N/A	79
0-40	883	N/A	94
0-60	934	N/A	99
0-90	937	N/A	100

Single Unit Data		
Height to Lighted Plane	Initial Center Beam Foot-Candles	Beam Diameter*
6'	38	5
7'	28	6
8'	21	7

Tested using absolute photometry as specified in LM79: IESNA Approved Method for the Electrical and Photometric Measurements of Solid-State Lighting Products.

*Beam diameter is where foot-candles drop to 50% of maximum.



Philips Lightolier
 e: lol.webmaster@philips.com
 t: (508) 679-8131
 w: www.lightolier.com

1001LED August 9, 2011

Specifications are subject to change without notice.
 © Koninklijke Philips Electronics N.V., 2010. All rights reserved.

Job Information Type: