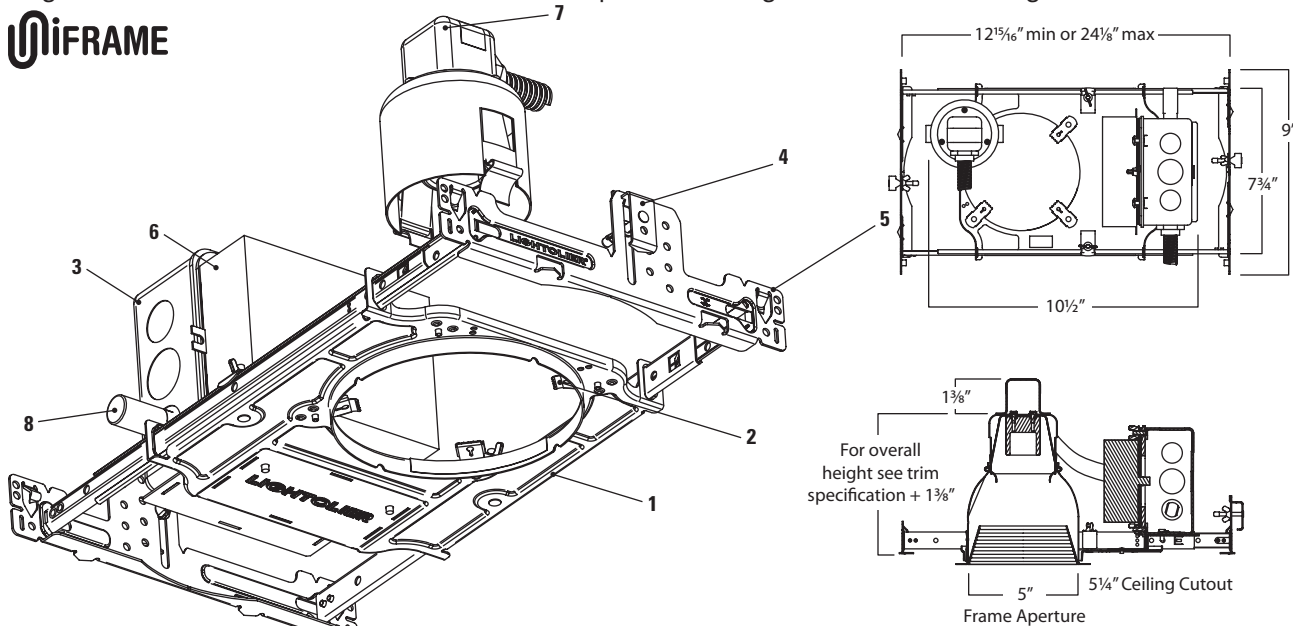


# Lytecaster Performance Recessed HID Downlighting **1001HIDPLC**



Complete Fixture consists of Frame-In Kit and Reflector Trim. Select each separately.

UniFrame HID LC PAR Frame-In Kit		Performance Reflector Trims (Reference Trim Spec Sheet for Recommended Lamping)	
Cat. No.	Lamp	Cone	Baffle
1001HIDP20ULC	20W PAR20/30L Ceramic MH	1013HID 1013CDHID	1005HID 1005WHHID
	22W PAR 20/30L Ceramic MH		
1001HIDP39ULC	39W PAR20 Ceramic MH		
	39W PAR30L Ceramic MH		
1001HIDP70ULC*	70W PAR30L Ceramic MH		
	70W PAR38 Ceramic MH		

\*Marked spacing of 2 feet on center required.

## Features

- Mounting Frame:** Chicago Plenum .036" (#20ga.) galvanized steel. Accommodates all ceilings up to 1 1/2" thick.
- Trim Clips:** "Push In / Twist Out" Stainless Steel clips hold reflector flush to ceiling.
- Junction Box:** 4 11/16" SQ (45 cu in) .074" (#13ga.) galvanized steel. UL listed for maximum of 4 (#12ga.) through branch circuit conductors.
- UniFrame™ Mounting System – Grid Ceiling:** Tool free mounting in grid ceilings. .036" (20ga.) Galvanized Steel interlocking slide bars adjust to 24-1/8" long accommodating 24" O.C. Ceiling Grid. Adjustable speed clamps for positive attachment to grid ceiling systems.
- UniFrame™ Mounting System – Wood Joist Ceiling:** Integral nailing tabs, alignment guides, fastener holes and bendable strapping guides for wood joist installation. Galvanized Steel interlocking slide bars adjust from 12-15/16" to 24-1/8" long to accommodate 16" and 24" O.C. joist spacing, with or without strapping.
- Electronic Ballast:** Universal 120/277V, 50/60Hz., enclosed, high-power factor, T.H.D. <15%, thermally and transient protected, RMI/RFI complies with FCC Part 18 non-consumer equipment, shut-down circuit at end of lamp life, sound rating "A", -5°F (-20°F for 150W) minimum starting temperature, Type 1 outdoor rating. Assecible from below for inspection and/or replacement without tools.
- Socket Housing:** Galvanized Steel, Pre wired With medium based pulse rated socket. Snaps onto reflector for secure attachment without tools; assures proper lamp alignment to optics for consistent performance.
- Thermal Protector:** Meets NEC and UL requirements. Do not install insulation above nor within 3" (76mm) of any part of the luminaire.

## Electrical

Ballast	Ansi Code	Voltage	Max. Amps	Input Watts	
20W MH	M156	120/277V	.22/.10	26	HPF>90%
39W MH	M130		.39/.18	46	
70W MH	M98,M139,M143		.69/.30	81	

## Labels

cULus Listed. Suitable for Damp Locations. I.B.E.W.

## Accessories

1967B Extra Thick Ceiling Adapter (2" thk)

Job Information	Type:
<b>Job Name:</b>	
<b>Cat. No.:</b>	
<b>Lamp(s):</b>	
<b>Notes:</b>	