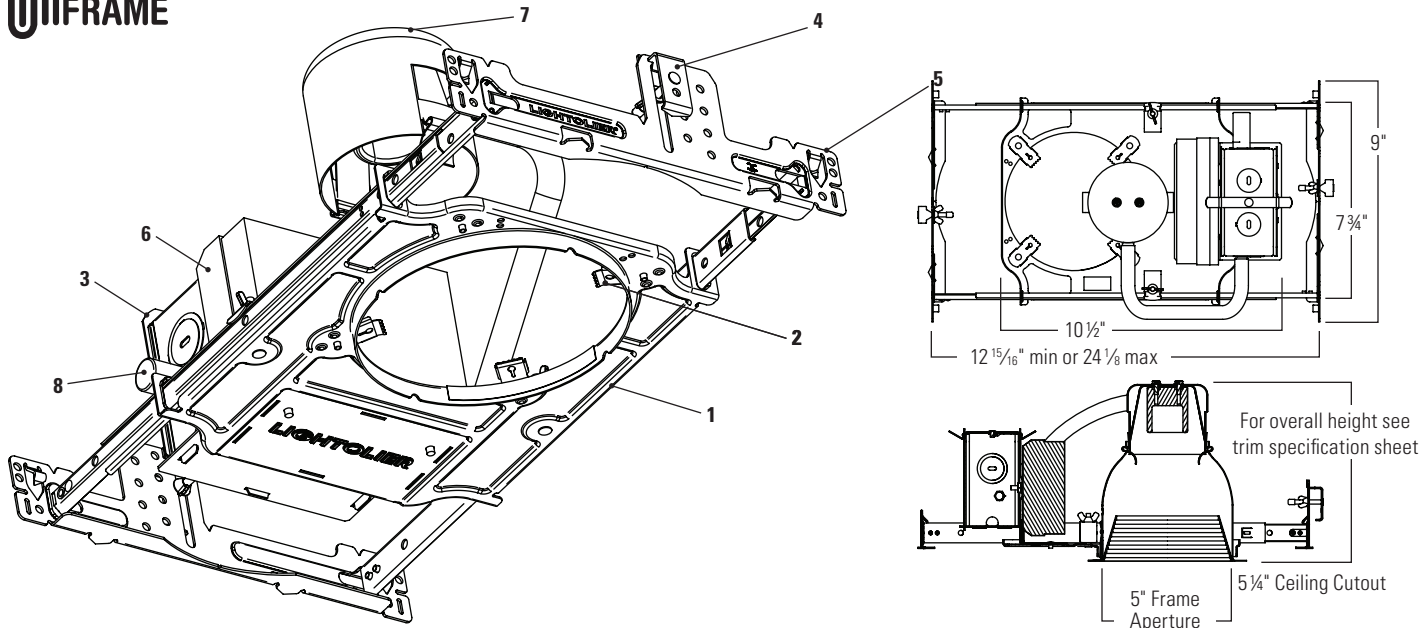


Lytecaster Performance Recessed HID Downlighting **1001HIDP**



Complete Fixture consists of Frame-In Kit and Reflector Trim. Select each separately.

UniFrame HID PAR Frame-In Kit		Performance Reflector Trims (Reference Trim Spec Sheet for Recommended Lamping)			
Cat. No.	Lamp	Cone	Baffle	Adjustable	Adjustable Baffle
1001HIDP20U	20W PAR20/30L Ceramic MH	1013HID	1005HID	1027CDHID*	1027HID*
	22W PAR20/30L Ceramic MH	1013CDHID	1005WHHID	1048HID*	1027WHHID*
1001HIDP39U	39W PAR20 Ceramic MH				
	39W PAR30L Ceramic MH				
1001HIDP70U**	70W PAR30L Ceramic MH				

* Not compatible with 1001HIDP70U

**Marked spacing of 2 feet on center required.

Features

- Mounting Frame:** .036" (#20ga.) Galvanized Steel. Accommodates all ceilings up to 1 1/2" thick; including existing or inaccessible areas.
- Trim Clips:** "Push In / Twist Out" Stainless Steel clips hold reflector flush to ceiling.
- Junction Box:** 2" x 4" x 3-1/2" (22cu.in.) .032" (#22ga.) galvanized steel. UL Listed for maximum of 4 (#12ga.) through branch circuit conductors.
- UniFrame™ Mounting System – Grid Ceiling:** Tool free mounting in grid ceilings. .036" (20ga.) Galvanized Steel interlocking slide bars adjust to 24-1/8" long accommodating 24" O.C. Ceiling Grid. Adjustable speed clamps for positive attachment to grid ceiling systems.
- UniFrame™ Mounting System – Wood Joist Ceiling:** Integral nailing tabs, alignment guides, fastener holes and bendable strapping guides for wood joist installation. Galvanized Steel interlocking slide bars adjust from 12-15/16" to 24-1/8" long to accommodate 16" and 24" O.C. joist spacing, with or without strapping.
- Electronic Ballast:** Universal 120/277V, 50/60Hz., enclosed, high-power factor, T.H.D. <15%, thermally and transient protected, RMI/RFI complies with FCC Part 18 non-consumer equipment, shut-down circuit at end of lamp life, sound rating "A", -5°F (-20°F for 150W) minimum starting temperature, Type 1 outdoor rating. Assecible from below for inspection and/or replacement without tools.
- Socket Housing:** Galvanized Steel, Pre wired With medium based pulse rated socket. Snaps onto reflector for secure attachment without tools; assures proper lamp alignment to optics for consistent performance.
- Thermal Protector:** Meets NEC and UL requirements. Do not install insulation above nor within 3" (76mm) of any part of the luminaire.

Electrical

Ballast	Ansi Code	Voltage	Max. Amps	Input Watts	
20W MH	M/C156	120/277V	.22/.10	26	HPF>90%
39W MH	M130		.39/.18	46	
70W MH	M98,M139,M143		.72/.31	86	

Labels

cULus Listed. Suitable for Damp Locations. I.B.E.W.

Accessories

1967B Extra Thick Ceiling Adapter (2" thk)

Job Information	Type:
Job Name:	
Cat. No.:	
Lamp(s):	
Notes:	