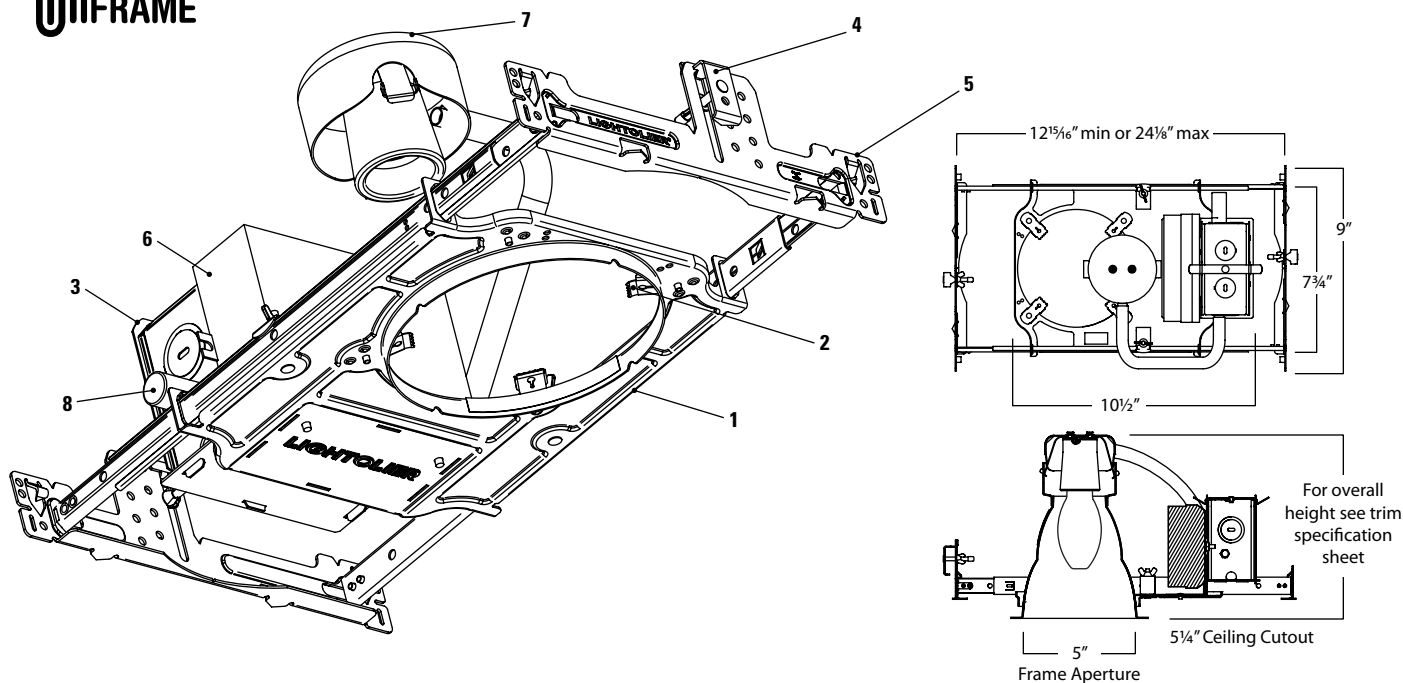


Lytecaster Performance Recessed HID Downlighting **1001HIDED**

Page 1 of 1

5" Aperture, 1 Light, HID ED17, Non-IC Frame-In Kit



Complete Fixture consists of Frame-In Kit and Reflector Trim. Select each separately.

UniFrame HID ED17 Frame-In Kit		Performance Series Reflector Trims (Reference Trim Spec Sheet for Recommended Lamping)				
Cat. No.	Lamp	Vertical Open	Vertical Wall Wash - Single	Horizontal Open	Horizontal Wall Wash - Single	Horizontal Lensed Wet Location - Diffused
1001HIDED50U	50W ED17 Open	1001CL	1001CLSW 1001CD	1001HSL 1001HCD	1001HCLSW 1001HCDSW	Fresnel - 1001HCLFHL D Fresnel - 1001HCLFHDF
1001HIDED70U*	70W ED17 Open					

*Marked spacing of 2 feet on center required.

Features

- Mounting Frame:** .036" (#20ga.) Galvanized Steel. Accommodates all ceilings up to 1 1/2" thick; including existing or inaccessible areas.
- Trim Clips:** "Push In / Twist Out" Stainless Steel clips hold reflector flush to ceiling.
- Junction Box:** 2" x 4" x 3-1/2" (22cu.in.) .032" (#22ga.) galvanized steel. UL Listed for maximum of 4 (#12ga.) through branch circuit conductors.
- UniFrame™ Mounting System – Grid Ceiling:** Tool free mounting in grid ceilings. .036" (20ga.) Galvanized Steel interlocking slide bars adjust to 24-1/8" long accommodating 24" O.C. Ceiling Grid. Adjustable speed clamps for positive attachment to grid ceiling systems.
- UniFrame™ Mounting System – Wood Joist Ceiling:** Integral nailing tabs, alignment guides, fastener holes and bendable strapping guides for wood joist installation. Galvanized Steel interlocking slide bars adjust from 12-15/16" to 24-1/8" long to accommodate 16" and 24" O.C. joist spacing, with or without strapping.
- Electronic Ballast:** Universal 120/277V, 50/60Hz., enclosed, high-power factor, T.H.D. <15%, thermally and transient protected, RMI/RFI complies with FCC Part 18 non-consumer equipment, shut-down circuit at end of lamp life, sound rating "A", -5°F (-20°F for 150W) minimum starting temperature, Type 1 outdoor rating. Accessible from below for inspection and/or replacement without tools.
- Socket Housing:** Galvanized Steel, Pre wired With medium based pulse rated socket. Snaps onto reflector for secure attachment without tools; assures proper lamp alignment to optics for consistent performance.
- Thermal Protector:** Meets NEC and UL requirements. Do not install insulation above nor within 3" (76mm) of any part of the luminaire.

Electrical

Ballast	Ansi Code	Voltage	Max. Amps	Input Watts	
50W MH	M110, M148,	120/277V	.50/.23	58	HPF>90%
70W MH	M98, M139, M143		.72/.31	86	

Labels

cULus Listed. Suitable for Damp Locations. I.B.E.W.

Accessories

1967B Extra Thick Ceiling Adapter (2" thk)

Job Information	Type:
Job Name:	
Cat. No.:	
Lamp(s):	
Notes:	