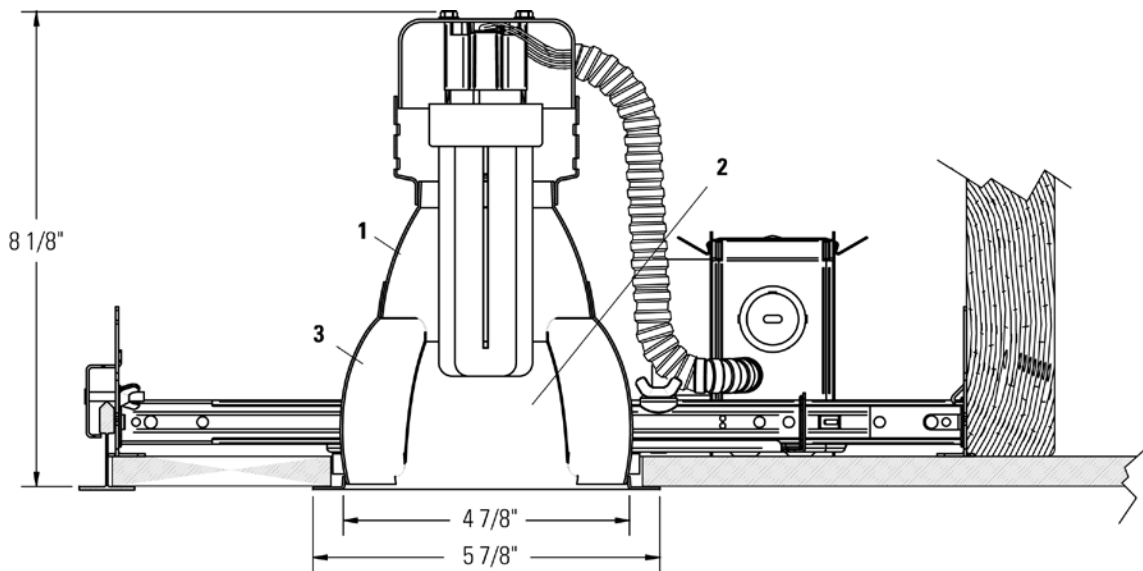


Performance Recessed CFL Downlighting **1001DW**

Page 1 of 2

5" Aperture Vertical Wall Wash, Compact Fluorescent, Performance Series, Reflector Trim



Complete Fixture consists of Frame-In Kit and Reflector Trim. Select each separately.

UniFrame™ Compact Fluorescent Performance Series Reflector Trims		Compatible UniFrame™ Frame-In Kits (See Individual Frame-In Kit Specification Sheets)		
Catalog No.	Description	Catalog No.	Installation Type	Lamping
1001CLDW 1001CDDW 1001WHDW	5" Vertical Double Wall Wash – Specular Clear 5" Vertical Double Wall Wash – Clear Diffuse 5" Vertical Double Wall Wash – Matte White	1001F13U	UniFrame™ Non-IC 120/277v	13w Quad/Triple
		1001F18U 1001FR18U 1001F18UEM	UniFrame™ Non-IC 120/277v UniFrame™ Non-IC Remodeler 120/277v UniFrame™ Non-IC Emergency 120/277v	18w Triple
		1001F26U 1001FR26U 1001F26UEM	UniFrame™ Non-IC 120/277v UniFrame™ Non-IC Remodeler 120/277v UniFrame™ Non-IC Emergency 120/277v	26w Triple
		1001FD26L1 1001FD26L2	UniFrame™ Non-IC Lutron Dimming 120v UniFrame™ Non-IC Lutron Dimming 277v	26w Triple
		1001FD26MX1 1001FD26MX2	UniFrame™ Non-IC Advance Mark10 Dimming 120v UniFrame™ Non-IC Advance Mark10 Dimming 277v	26w Triple
		1001FD13M7U	UniFrame™ Non-IC Advance Mark7 Dimming 120/277v	13w Triple
		1001FD18M7U	UniFrame™ Non-IC Advance Mark7 Dimming 120/277v	18w Triple
		1001FD26M7U	UniFrame™ Non-IC Advance Mark7 Dimming 120/277v	26w Triple
		1001FRD26MX1 1001FRD26MX2	UniFrame™ Non-IC Advance Mark10 Dimming 120v Rem. UniFrame™ Non-IC Advance Mark10 Dimming 277v Rem.	26w Triple

Features

- Reflector:** Formed aluminum. Matte White flange.
- Finishes:** CL = Specular Clear (Iridescent Free coating)
CD = Clear Diffuse
WH = Matte White Paint
- Wall Wash Kick Reflector:** Formed aluminum. Clear finish.
- Performance Data:** 60° Cutoff angle.
See attached photometric reports for distribution and efficiency data.
Go to www.lightolier.com for .IES files.

Labels

cULus Listed. Suitable for Damp Locations. I.B.E.W.

Job Information

Type:

Job Name:

Cat. No.:

Lamp(s):

Notes: