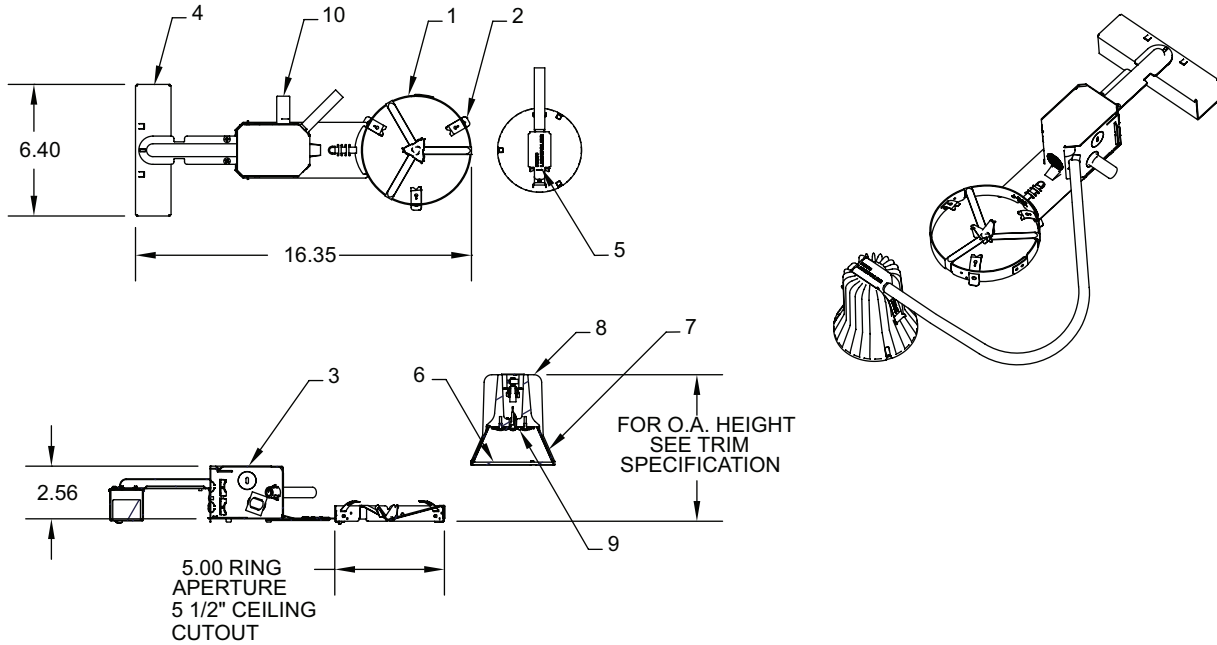


1000LED-REM

Lytecaster, 5", LED, Non-IC, Remodeler

Page 1 of 4



Trim compatibility for the 1000LED09R series frame-in-kits

LED Remodeler sku	Cone	Satin cone	Baffle	Basic white	Pinhole	Enclosed diffusers	Wall washers
1000LED09R271	1012	1008	1005	1071	1011	1024	1035
1000LED09R351	1012NM	1008NM	1005NM			1078	1035WH
	1013	1010	1005WH			1090	1085
	1013NM	1010NM	1005BNM				
	1013BK		1076				
	1013BKNM		1076WH				
	1013CD						
	1013CDNM						
	1013WH						

See Page 2 for Energy Star compatible trims

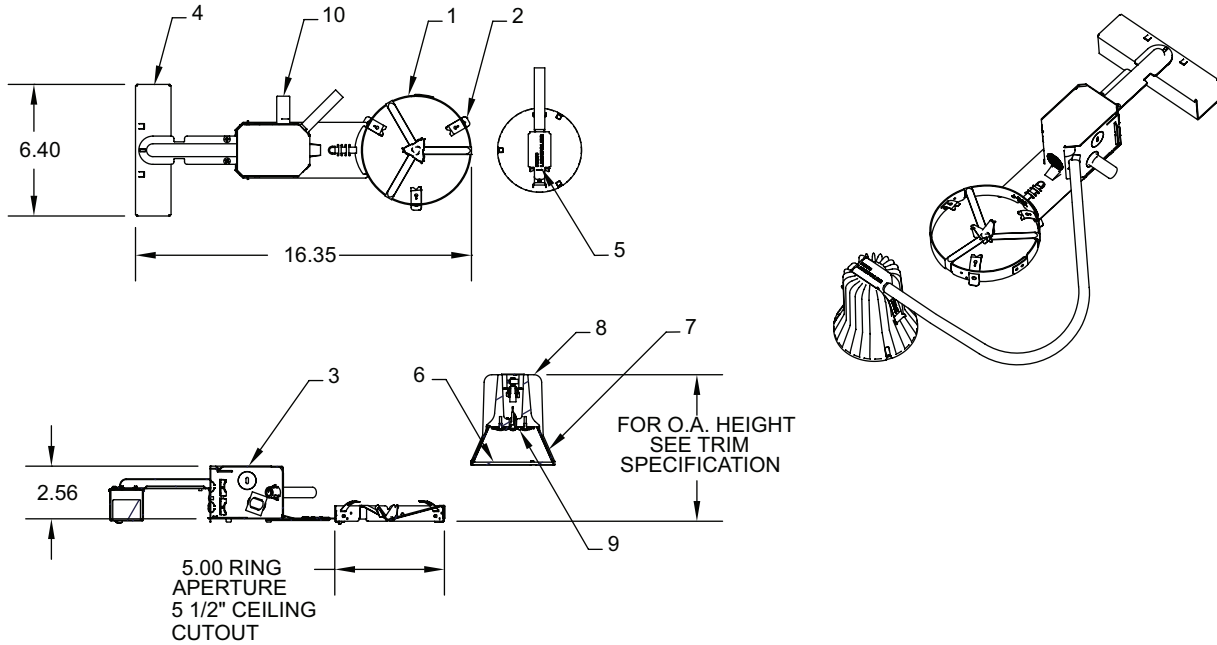
Job Information	Type:
Job Name:	
Cat. No.:	
Notes:	

PHILIPS
LIGHTOLIER

1000LED-REM

Lytecaster, 5", LED, Non-IC, Remodeler

Page 2 of 4



Energy Star Lytecaster LED Uniframe trim compatibility chart

The following trims meet the necessary requirements to obtain a Commercial Energy Star listing when used with the 1000LED and 1100LED series of frame-in kits



5" Trims (1000 series) w/1000LED frames

1005BNM	1010	1013	1013CD	1076WH
1005WH	1010NM	1013NM	1013CDNM	1090
1008	1012	1013BK	1013WH	
1008NM	1012NM	1013BKNM	1071	

Job Information Type:

PHILIPS
LIGHTOLIER

1000LED-REM

Lytecaster, 5", LED, Non-IC, Remodeler

Page 3 of 4

Features

1. Uniframe Mounting Ring: .032(#22ga)thickGalvanizedSteel. Accommodates existing ceilings up to 2" thick. Attaches securely to any type of ceiling material without tools using (3) mounting straps. Includes adhesive backed aperture template.

2. Trim Clips: "Push In / Twist Out" clips hold reflector flush to ceiling.

3. Junction Box: 2 1/2" x 2 1/2" x 3 1/2" (21cu. in.) .032 (#22 ga) galvanized steel. U.L. listed for 90° C supply wire. Integral cable clamps permit attachment of non-metallic (#12 or #14 ga) Romex without tools or additional connectors. Attaches to mtg. ring without tools.

4. Power supply/enclosure: Factory wired electronic driver (see electrical section for specifications) Enclosed in a 22Ga galvanized steel housing.

5. Top heat sink cover: Tool free snap on enclosure bracket. 22 Ga. component houses the driver secondary tool free wire connector.

6. Lens: Solite Glass lens has high transmission value with slight texture to provide a smooth consistent beam distribution.

7. Optical mixing chamber: Designed to provide a spacing ratio of .9 (60° beam) when installed in standard Lytecaster trims. Optic design provides less glare than standard PAR lamps.

8. Thermal management: Proprietary heat sink was developed using the latest Computational Fluid DynamicSoftware. This optimized thermal design provides a 50,000 hour lifetime at 70% lumen maintenance. Cast Aluminum heat sink is coated with RoHS compliant coating (trivalent chromate) to resist corrosion in damp or wet environments.

9. LED board: Utilizes Philips Lumileds LED's.

10. Thermal protector: Meets NEC and UL Requirements. Do not install insulation above or within 3" (76 mm) of any part of the luminaire.

Electrical

Electronic power supply: RoHS compliant Class 2 power unit for use in a damp or dry location (Outdoor Type1 IP66). Class A sound rated unit tolerates sustained open circuit and short circuit output conditions without damage. Complies with FCC rules per Title 47 CFR Part 15 Non-Consumer (Class A) for EMI/RFI (conducted and radiated) at full load.

Input Voltage	Input Frequency	Max Input Current	Max Input Power	Max THD	Power Factor	Minimum Operating Temperature
120V	50/60Hz	0.16	20W	< 20%	>.9	-20° C

Labels

UL Wet Location Classified

ENERGY STAR® qualified for use with specific finishing trims (see p 2). 5 Year Warranty.

Title 24 Compliant

cULus Listed. Suitable for Damp Locations. I.B.E.W.



Job Information Type:

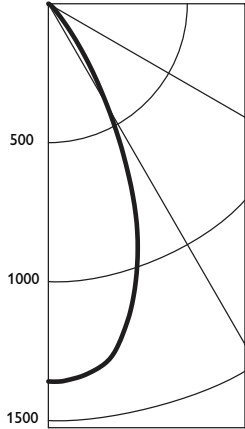
PHILIPS

LIGHTOLIER

1000LED-REM

Lytecaster, 5", LED, Non-IC, Remodeler

Lytecaster LED, 2700K Remodeler



Angle	Mean CP
0	1359
5	1347
10	1293
15	1143
20	940
25	685
30	423
35	224
40	98
45	44
50	27
55	13
60	6
65	2
70	1
75	1
80	0
85	0
90	0

Catalog No: 1000LED09R271 / 1013	
Report No.:	F10156
Total Fixture Lumens:	952
Color Temp.:	2700K
Input Watts:	20.7W
Luminaire Efficacy	46 lm/w
Spacing Criterion:	0.82
CRI	82

		Coefficients of utilization											
		80%			70%			50%			0%		
Ceiling	Wall	70	50	30	70	50	30	50	30	10	10	0	0
RCR		Zonal Cavity Method - Effective Floor Reflectance = 20%											
Room Cavity Ratio	0	119	119	119	116	116	116	111	111	111	100	100	100
	1	114	111	109	111	109	107	105	103	102	94	94	94
	2	109	104	100	106	102	99	99	96	94	88	88	88
	3	104	98	93	102	96	92	94	90	87	83	83	83
	4	99	92	87	97	91	86	88	84	81	78	78	78
	5	94	86	81	93	86	80	84	79	76	73	73	73
	6	90	82	76	89	81	76	79	75	71	69	69	69
	7	86	77	72	85	77	71	75	71	67	65	65	65
	8	82	73	68	81	73	67	72	67	63	62	62	62
	9	79	70	64	78	69	64	68	63	60	58	58	58
	10	75	66	61	74	66	60	65	60	57	55	55	55

Zonal lumens and percentages			
Zone	Lumens	%Lamp	%Fixt
0-30	753	N/A	79
0-40	898	N/A	94
0-60	949	N/A	99
0-90	952	N/A	100

Single Unit Data		
Height to Lighted Plane	Initial Center Beam Foot-Candles	Beam Diameter*
6'	38	5
7'	28	6
8'	21	8

Tested using absolute photometry as specified in LM79: IESNA Approved Method for the Electrical and Photometric Measurements of Solid-State Lighting Products.



Philips Lightolier
 e: lol.webmaster@philips.com
 t: (508) 679-8131
 w: www.lightolier.com

1000LED-REM August 9, 2011

Specifications are subject to change without notice.
 © Koninklijke Philips Electronics N.V., 2010. All rights reserved.

Job Information	Type:
------------------------	--------------