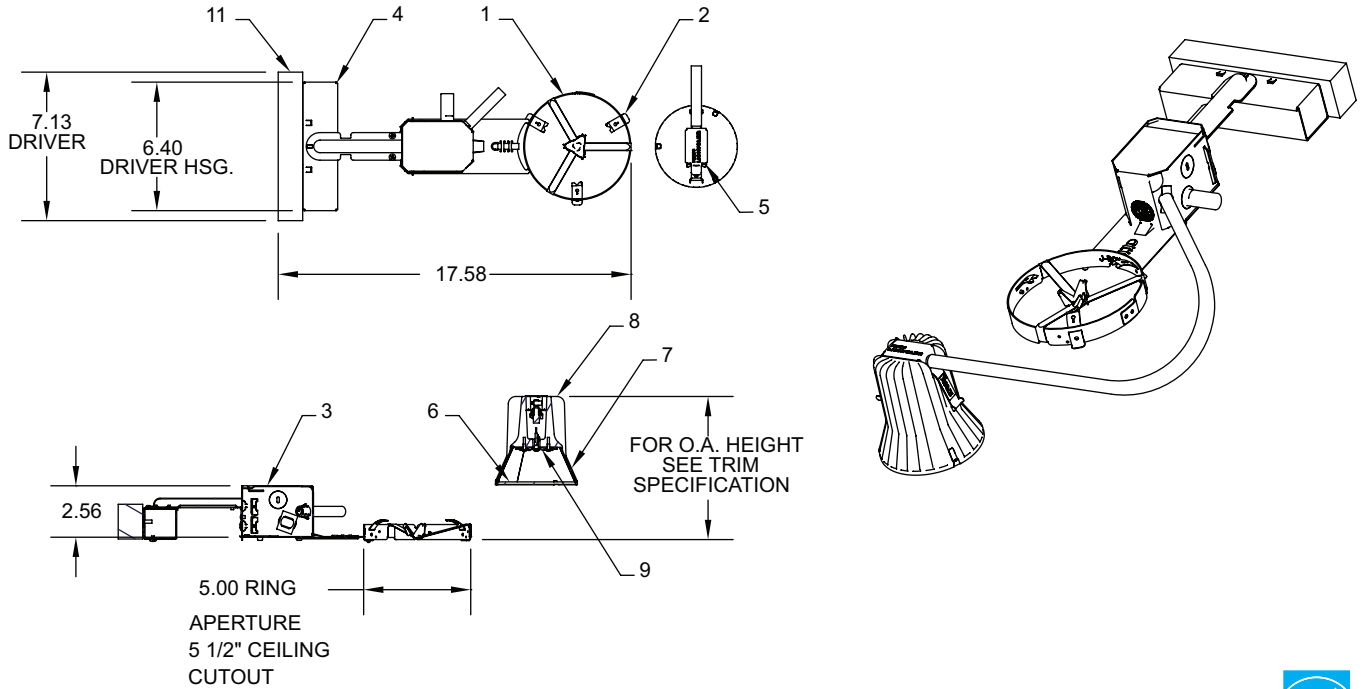


1000LED-DIM-REM

Lytecaster, 5", LED, Non-IC, Dimming Remodeler

Page 1 of 4



Trim compatibility for the 1000LED09R series frame-in-kits

LED Remodeler sku	Cone	Satin cone	Baffle	Basic white	Pinhole	Enclosed diffusers	Wall washers
1000LED09R27D1	1012	1008	1005	1071	1011	1024	1035
1000LED09R35D1	1012NM	1008NM	1005NM			1078	1035WH
	1013	1010	1005WH			1090	1085
	1013NM	1010NM	1005BNM				
	1013BK		1076				
	1013BKNM		1076WH				
	1013CD						
	1013CDNM						
	1013WH						

See Page 3 for Energy Star compatible trims

Job Information	Type:
Job Name:	
Cat. No.:	
Notes:	

PHILIPS
LIGHTOLIER

1000LED-DIM-REM

Lytecaster, 5", LED, Non-IC, Dimming Remodeler

Page 2 of 4

Features

- 1. Uniframe Mounting Ring:** .032 (#22ga) thick Galvanized Steel. Accommodates existing ceilings up to 2" thick. Attaches securely to any type of ceiling material without tools using (3) mounting straps. Includes adhesive backed aperture template.
- 2. Trim Clips:** "Push In / Twist Out" clips hold reflector flush to ceiling.
- 3. Junction Box:** 2 1/2" x 2 1/2" x 3 1/2" (21cu. in.) .032 (#22 ga) galvanized steel. U.L. listed for 90° C supply wire. Integral cable clamps permit attachment of non-metallic (#12 or #14 ga) Romex without tools or additional connectors. Attaches to mtg. ring without tools.
- 4. Wiring enclosure:** Enclosure formed from #22Ga galvanized steel.
- 5. Top heat sink cover:** Tool free snap on enclosure bracket. 22 Ga. component houses the driver secondary tool free wire connector.
- 6. Lens:** Solite Glass lens has high transmission value with slight texture to provide a smooth consistent beam distribution.
- 7. Optical mixing chamber:** Designed to provide a spacing ratio of .9 (60° beam) when installed in standard Lytecaster trims. Optic design provides less glare than standard PAR loamps.
- 8. Thermal management:** Proprietary heat sink was developed using the latest Computational Fluid Dynamic Software. This optimized thermal design provides a 50,000 hour lifetime at 70% lumen maintenance. Cast Aluminum heat sink is coated with RoHS compliant coating (trivalent chromate) to resist corrosion in damp or wet environments.
- 9. LED board:** Utilizes Philips Lumileds LED's.
- 10. Thermal protector:** Meets NEC and UL Requirements. Do not install insulation above or within 3" (76 mm) of any part of the luminaire.
- 11. LED Driver:** Externally mounted, fully enclosed in a metal case, factory wired.

Electrical

Electronic power supply: Class 2 power unit for use in a damp or dry location (Outdoor Type1). Class A sound rated unit tolerates sustained open circuit and short circuit output conditions without damage. Complies with FCC rules per Title 47 CFR Part 15/18 Consumer limits (Class B) for EMI/RFI (conducted and radiated) at full load.

Input voltage	Input frequency	Max input current	Max input power	Max THD	Power factor	Minimum operating temperature	% Minimum dimming
120V	50/60Hz	0.2	25W	< 20%	>.9	-20° C	< 5%

Labels

UL Wet Location Classified
ENERGY STAR® qualified for use with specific finishing trims (see p 3). 5 Year Warranty.
cULus Listed. Suitable for Damp Locations. I.B.E.W.

Accessories

1967B Extra Thick Ceiling Adapter (2" thk)



Job Information	Type:
-----------------	-------

PHILIPS
LIGHTOLIER

1000LED-DIM-REM

Lytecaster, 5", LED, Non-IC, Dimming Remodeler

Page 3 of 4

Energy Star compatibility



The following trims meet the necessary requirements to obtain a Commercial Energy Star listing when used with the 1000LED and 1100LED series of frame-in kits

5" Trims (1000 series) w/1000LED frames

1005BNM	1010	1013	1013CD	1076WH
1005WH	1010NM	1013NM	1013CDNM	1090
1008	1012	1013BK	1013WH	
1008NM	1012NM	1013BKNM	1071	

Dimming switch compatibility

Note that most all standard incandescent dimmers will function, but performance will vary.

The dimmers listed below have the optimal performance.

HUNT dimming: 56500 PS-LED-PC-IV-120V-LT26/36 (2 wire triac)
 56501 PS-LED-PC-WH-120V-LT26/36 (2 wire triac)
 56510 PS-LED-PC-3W-IV-120V-LT26/36 (2 wire triac)
 56511 PS-LED-PC-3W-WH-120V-LT26/36 (2 wire triac)

Lightolier controls: zp260qe (requires neutral)

Lutron: NLV-600 (2 wire triac)

Leviton: IPE04-1LW (requires neutral)

6681-IW (2 wire triac)

Please Note: Product incompatible with Lutron Electronic Low Voltage dimmers.

Labels

UL wet location classified

ENERGY STAR® qualified for use with specific finishing trims (see above).

5 Year Warranty.

Title 24 Compliant

All testing conducted in accordance with IESNA LM79 and LM80 standards.

Job Information **Type:**

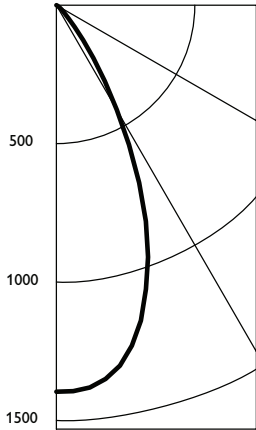
PHILIPS

LIGHTOLIER

1000LED-DIM-REM

Lytecaster, 5", LED, Non-IC, Dimming Remodeler

Lytecaster LED, 2700K Remodeler



Angle	Mean CP
0	1396
5	1386
10	1322
15	1180
20	868
25	708
30	437
35	233
40	103
45	44
50	25
55	12
60	5
65	2
70	0
75	0
80	0
85	0
90	0

Catalog No: 1000LED09R27D1 / 1013

Report No.: F10129

Total Fixture Lumens: 976

Color Temp: 2700K

Input Watts: 22.6W

Luminaire Efficacy: 43.2 lm/w

Spacing Criterion: 0.82

CRI: 82

Ceiling	Coefficients of utilization											
	80%			70%			50%			0%		
Wall	70	50	30	70	50	30	50	30	10	10	0	0
RCR	Zonal Cavity Method - Effective Floor Reflectance = 20%											
Room Cavity Ratio	0	119	119	119	116	116	116	111	111	111	100	100
1	114	111	109	111	109	107	105	103	102	94	94	94
2	109	104	100	106	102	99	99	96	94	88	88	88
3	104	98	93	102	96	92	94	90	87	83	83	83
4	99	92	87	97	91	86	89	84	81	78	78	78
5	94	86	81	93	86	80	84	79	76	73	73	73
6	90	82	76	89	81	76	79	75	71	69	69	69
7	86	77	72	85	77	71	75	71	67	65	65	65
8	82	73	68	81	73	67	72	67	63	62	62	62
9	79	70	64	78	69	64	68	63	60	58	58	58
10	75	66	61	74	66	61	65	60	57	55	55	55

Zonal lumens and percentages			
Zone	Lumens	%Lamp	%Fixt
0-30	775	N/A	79
0-40	926	N/A	95
0-60	977	N/A	99
0-90	979	N/A	100

Single Unit Data		
Height to Lighted Plane	Initial Center Beam Foot-Candles	Beam Diameter*
6'	39	5
7'	28	6
8'	22	7

Tested using absolute photometry as specified in LM79: IESNA Approved Method for the Electrical and Photometric Measurements of Solid-State Lighting Products.



Philips Lightolier
 e: lol.webmaster@philips.com
 t: (508) 679-8131
 w: www.lightolier.com

1000LED-DIM-REM August 9, 2011

Specifications are subject to change without notice.
 © Koninklijke Philips Electronics N.V., 2010. All rights reserved.

Job Information Type: